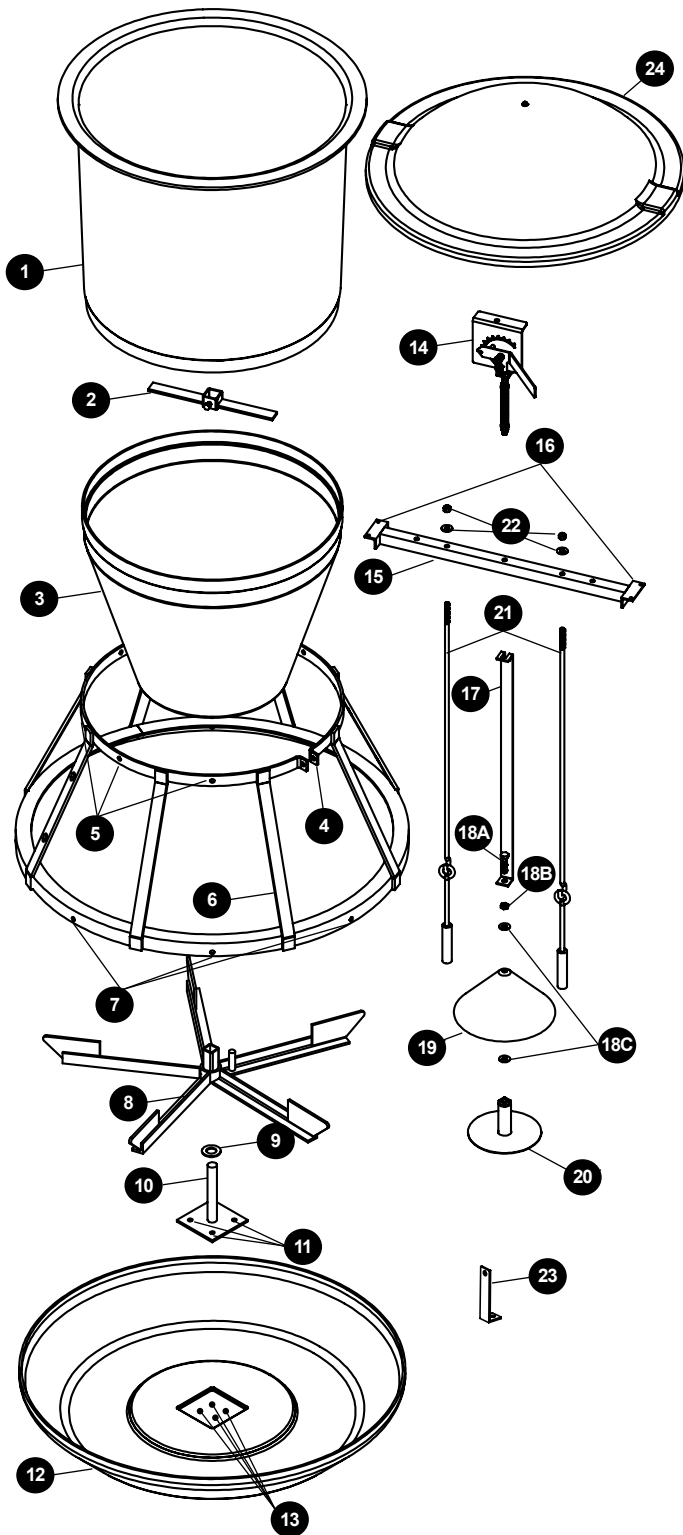


# FAST START® BIG WHEEL® RF2FS SERIES WEAN-TO-FINISH CONFINEMENT FEEDER PARTS LIST



| FAST Start® Big Wheel® RF2FS Wean-to-Finish Feeder - 4.5 bu. |                          |                                                                                                            |
|--------------------------------------------------------------|--------------------------|------------------------------------------------------------------------------------------------------------|
| Item #                                                       | Part #                   | Description                                                                                                |
| 1                                                            | KF-N10002                | Hopper top                                                                                                 |
| 2                                                            | KF-N1S003                | Feed sweep with set screw (stainless steel)                                                                |
| 3                                                            | KF-F20010                | Hopper bottom                                                                                              |
| 4                                                            | INCLUDED IN BOLT KIT     | 5/16 x 1 3/4-in. cage tightener bolt<br>5/16-in. hex cage tightener nut<br>5/16-in. cage tightener jam nut |
| 5                                                            | INCLUDED IN BOLT KIT     | 5/16 x 7/8-in. cage divider bolts (7 ea.)<br>5/16-in. cage divider nuts (7 ea.)                            |
| 6                                                            | KF-F20007                | Cage divider                                                                                               |
| 7                                                            | INCLUDED IN BOLT KIT     | 5/16 x 7/8-in. cage divider bolts (8 ea.)<br>5/16-in. cage divider nuts (8 ea.)                            |
| 8                                                            | KF-F20008                | Feed wheel                                                                                                 |
| 9                                                            | IN BOLT KIT              | 3/4-in. feed wheel washer                                                                                  |
| 10                                                           | KF-N1S004                | Axle assembly (stainless steel)                                                                            |
| 11                                                           | IN BOLT KIT              | 10-24 flat-head machine screws (4 ea.)                                                                     |
| 12                                                           | KF-F20001                | Trough                                                                                                     |
| 13                                                           | IN BOLT KIT              | 10-24 flange nuts (4 ea.)                                                                                  |
| 14                                                           | KF-F10024                | Feed flow control                                                                                          |
| 15                                                           | KF-N10011 or KF-N1ZP04   | Crossbar<br>Crossbar (zinc plated)                                                                         |
| 16                                                           | IN BOLT KIT              | 10-24 round-head machine screws (4 ea.)<br>10-24 crossbar nuts (4 ea.)                                     |
| 17                                                           | KF-N10013 or KF-N1ZP05   | Cone strap<br>Cone strap (zinc plated)                                                                     |
| 18A<br>18B<br>18C                                            | INCLUDED IN BOLT KIT     | 3/8 x 1 1/2-in. bolt<br>3/8-in. jam hex nut<br>5/16-in. washer (2 ea.)                                     |
| 19                                                           | KF-N10004                | Cone                                                                                                       |
| 20                                                           | KF-N10009 or KF-N1ZP03   | Cone support<br>Cone support (zinc plated)                                                                 |
| 21                                                           | FF-00RN1B or FF-00RN1BZP | Bump bar agitator (2 ea.)<br>Bump bar agitator (zinc plated; 2 ea.)                                        |
| 22                                                           | RFN-2400<br>RFW-2000     | Bump bar lock nut (2 ea.)<br>Bump bar washer (2 ea.)                                                       |
| 23                                                           | FF-00RF2E                | Anchor bracket (3 ea.; order separately)                                                                   |
| 24                                                           | FF-00RN1L                | Hopper lid (order separately)                                                                              |

#### Replacement Bolt Kits

|           |                                             |
|-----------|---------------------------------------------|
| KF-F10012 | Bolt kit (includes trough divider bolt kit) |
| KF-F10013 | Trough divider bolt kit                     |

Additional accessories, including specialty anchors, hopper lids, and multiple options in fenceline adapters, are available from Osborne, ordered separately.

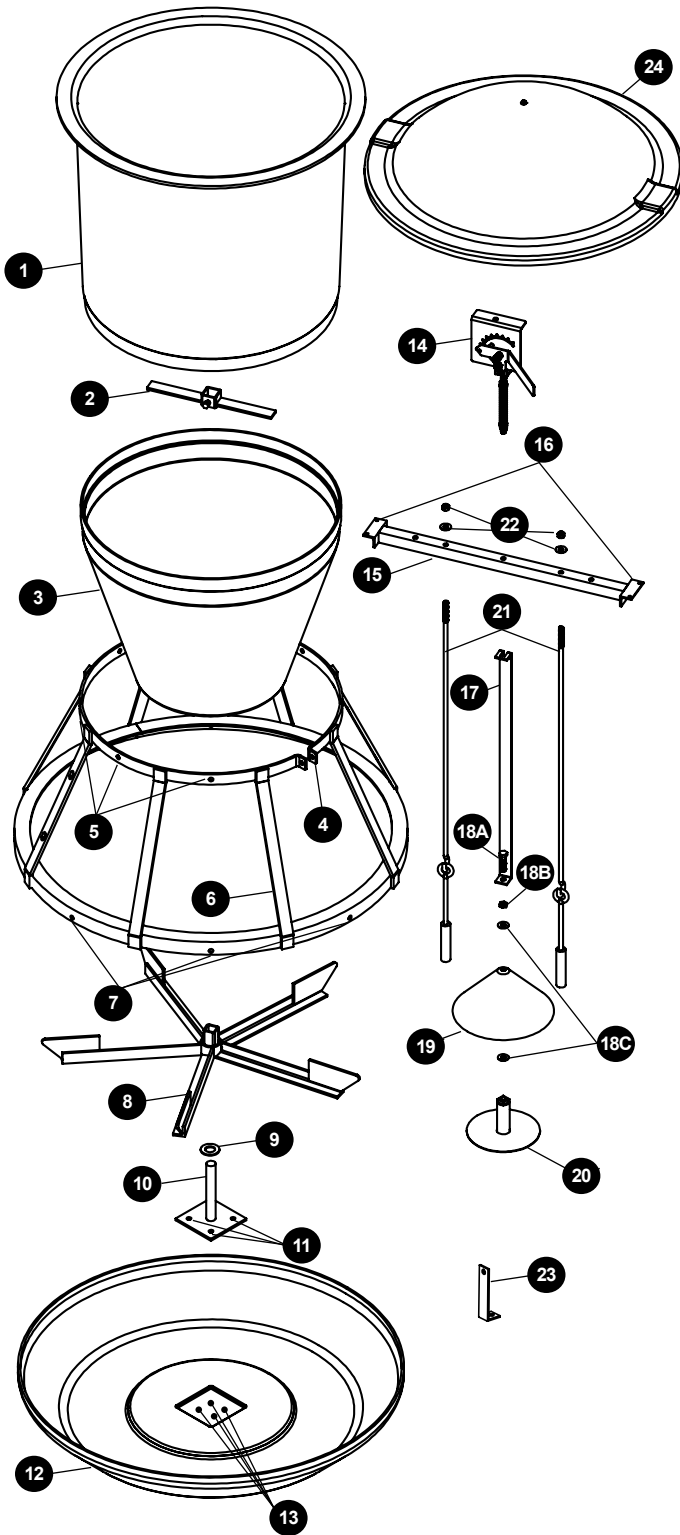


P.O. Box 388 • Osborne, KS 67473 U.S.A.  
Phone: 1-800-255-0316 • Fax: 1-785-346-2194  
sales@osborne-ind.com • www.osbornelivestockequipment.com

# OSBORNE BIG WHEEL® FAST START® SERIE RF2FS

## COMEDERO DE DESTETE A VENTA

### LISTA DE PARTES



| Comedero de destete a venta RF2FS FAST Start® - 4.5 bu. |                           |                                                                                                            |
|---------------------------------------------------------|---------------------------|------------------------------------------------------------------------------------------------------------|
| Ítem #                                                  | Parte #                   | Descripción                                                                                                |
| 1                                                       | KF-F10002                 | Tolva superior                                                                                             |
| 2                                                       | KF-F1S003                 | Barredor de alimento de acero inox. con tornillo                                                           |
| 3                                                       | KF-F20010                 | Tolva inferior                                                                                             |
| 4                                                       | Incluido en kit de pernos | Perno de ajuste, 5/16 x 1 3/4 pulg.<br>Tuerca de ajuste, 5/16 pulg.<br>Tuerca de seguridad, 5/16 pulg.     |
| 5                                                       | Incluido en kit de pernos | Pernos jaula divisoria, 5/16 x 7/8 pulg. (7 c/u)<br>Tuercas jaula divisoria, 5/16 pulg. (7 c/u)            |
| 6                                                       | KF-F20007                 | Jaula divisoria                                                                                            |
| 7                                                       | Incluido en kit de pernos | Pernos jaula divisoria, 5/16 x 7/8 pulg. (8 c/u)<br>Tuercas jaula divisoria, 5/16 pulg. (8 c/u)            |
| 8                                                       | KF-F20008                 | Rueda                                                                                                      |
| 9                                                       | Kit de pernos             | Golilla de rueda, 3/4 pulg.                                                                                |
| 10                                                      | KF-N1S004                 | Eje de acero inoxidable                                                                                    |
| 11                                                      | Kit de pernos             | Pernos del eje, 10-24 (4 c/u)                                                                              |
| 12                                                      | KF-F20001                 | Plato                                                                                                      |
| 13                                                      | Kit de pernos             | Tuercas del eje, 10-24 (4 c/u)                                                                             |
| 14                                                      | KF-F10024                 | Mecanismo de flujo de alimento                                                                             |
| 15                                                      | KF-N10011 ó KF-N1ZP04     | Barra Transversal<br>Barra transversal de zinc                                                             |
| 16                                                      | Incluido en kit de pernos | Pernos barra transversal, 10-24 (4 c/u)<br>Tuercas barra transversal, 10-24 (4 c/u)                        |
| 17                                                      | KF-N10013 ó KF-N1ZP05     | Barra del cono<br>Barra del cono de zinc                                                                   |
| 18A<br>18B<br>18C                                       | Incluido en kit de pernos | Perno, 3/8 x 1 1/2 pulg.<br>Tuerca aseg. hex. 3/8 pulg.<br>Golilla de soporte del cono, 5/16 pulg. (2 c/u) |
| 19                                                      | KF-N10004                 | Cono                                                                                                       |
| 20                                                      | KF-N10009 ó KF-N1ZP03     | Soporte del cono<br>Soporte del cono de zinc                                                               |
| 21                                                      | FF-00RN1B ó FF-00RN1BZP   | Barra agitadora (2 c/u)<br>Barra agitadora de zinc (2 c/u)                                                 |
| 22                                                      | RFN-2400<br>RFW-2000      | Tuerca barra agitadora (2 c/u)<br>Golilla barra agitadora (2 c/u)                                          |
| 23                                                      | FF-00RF2E                 | Soporte de ancla (3 c/u; ordenar por separado)                                                             |
| 24                                                      | FF-00RN1L                 | Tapa de la tolva (ordenar por separado)                                                                    |

#### KITS DE PERNOS DE REPUESTO

|           |                                            |
|-----------|--------------------------------------------|
| KF-F10012 | Kit de pernos (incluye pernos de la jaula) |
| KF-F10013 | Kit de pernos de la jaula                  |

Accesorios adicionales, como tapas de comederos y opciones múltiples de adaptadores para rejas, están disponibles en Osborne y deben ser ordenados por separado.



P.O. Box 388 • Osborne, KS 67473 U.S.A.  
Teléfono: 1-785-346-2192 • Fax: 1-785-346-2194  
sales@osborne-ind.com • www.osbornelivestockequipment.com