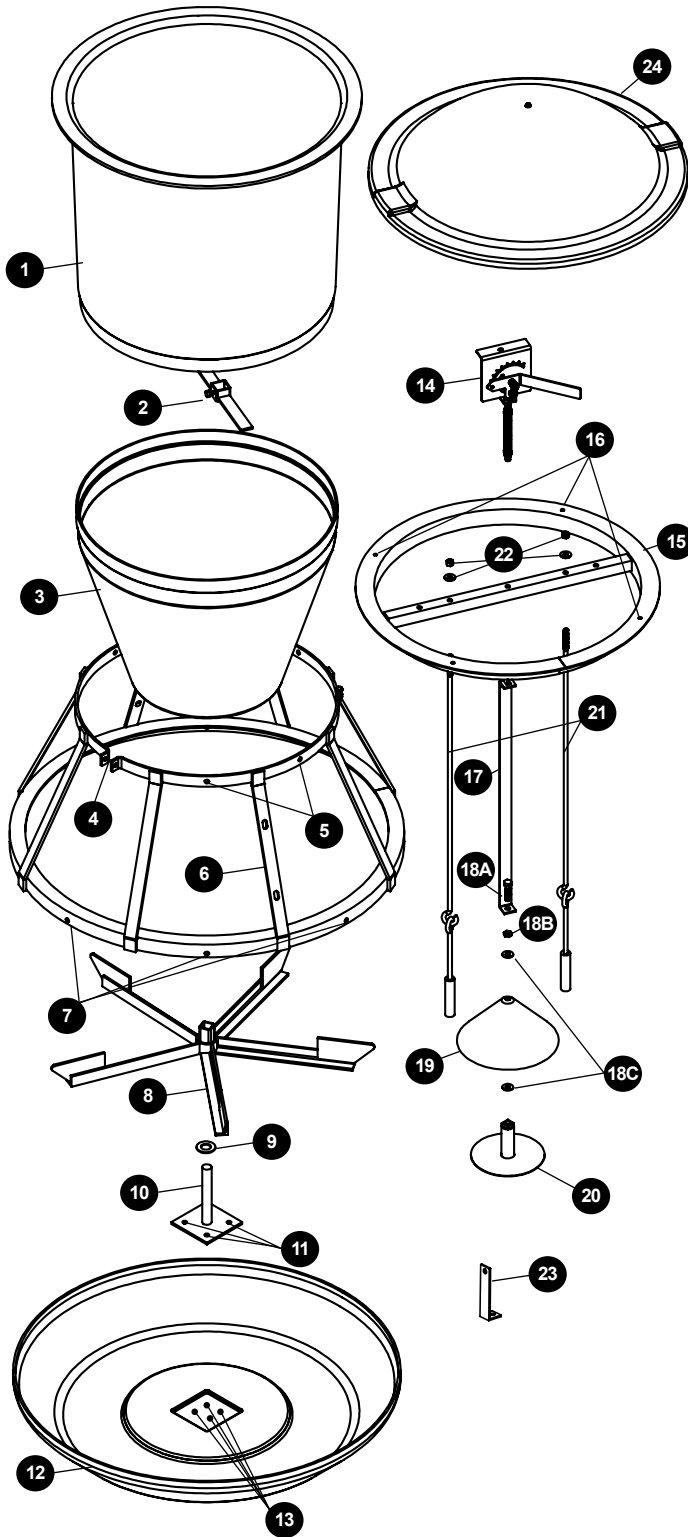


OSBORNE BIG WHEEL® RF2R SERIES FINISH CONFINEMENT FEEDER WITH TOP RING PARTS LIST



Osborne Big Wheel® RF2R Round Finish Feeder with Top Ring- 4.5 bu.		
Item #	Part #	Description
1	KF-N10002	Hopper top
2	KF-N10007 or KF-N1ZP01	Feed sweep with set screw Feed sweep with set screw (zinc plated)
3	KF-F20005	Hopper bottom
4	INCLUDED IN BOLT KIT	5/16 x 1 3/4-in. cage tightener bolt 5/16-in. hex cage tightener nut 5/16-in. cage tightener jam nut
5	INCLUDED IN BOLT KIT	5/16 x 7/8-in. cage divider bolts (7 ea.) 5/16-in. cage divider nuts (7 ea.)
6	KF-F20002 or KF-F2G001	Cage divider Cage divider (galvanized)
7	INCLUDED IN BOLT KIT	5/16 x 7/8-in. cage divider bolts (8 ea.) 5/16-in. cage divider nuts (8 ea.)
8	KF-F20003 or KF-F2G002	Feed wheel Feed wheel (galvanized)
9	IN BOLT KIT	3/4-in. feed wheel washer
10	KF-N10008 or KF-N1ZP02	Axle assembly Axle assembly (zinc plated)
11	IN BOLT KIT	10-24 flat-head machine screws (4 ea.)
12	KF-F20001	Trough
13	IN BOLT KIT	10-24 flange nuts (4 ea.)
14	KF-F10024	Feed flow control
15	KF-F20004 or KF-F2ZP01	Crossbar with ring Crossbar with ring (zinc plated)
16	IN BOLT KIT	1/4 x 1-in. bolt (4 ea.) 1/4-in. hex nut (4 ea.)
17	KF-N10013 or KF-N1ZP05	Cone strap Cone strap (zinc plated)
18A 18B 18C	INCLUDED IN BOLT KIT	3/8 x 1 1/2-in. bolt 3/8-in. jam hex nut 5/16-in. washer (2 ea.)
19	KF-N10004	Cone
20	KF-N10009 or KF-N1ZP03	Cone support Cone support (zinc plated)
21	FF-00RN1B or FF-00RN1BZP	Bump bar agitator (2 ea.) Bump bar agitator (zinc plated; 2 ea.)
22	RFN-2400 RFW-2000	Bump bar lock nut (2 ea.) Bump bar washer (2 ea.)
23	FF-00RF2E	Anchor bracket (3 ea.; order separately)
24	FF-00RN1L	Hopper lid (order separately)
Replacement Bolt Kits		
KF-F20006	Bolt kit (includes trough divider bolt kit)	
KF-F10013	Trough divider bolt kit	

Additional accessories, including specialty anchors, hopper lids, and multiple options in fenceline adapters, are available from Osborne, ordered separately.

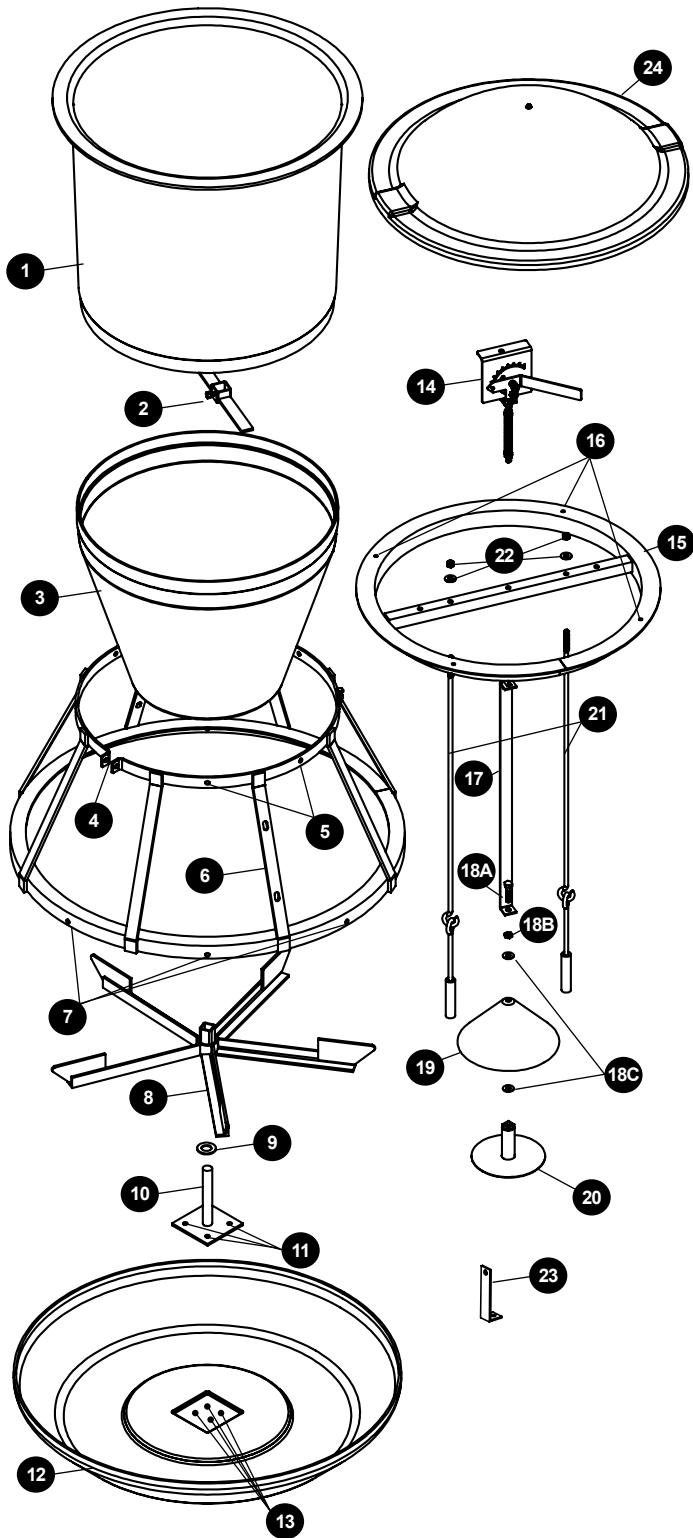


P.O. Box 388 • Osborne, KS 67473 U.S.A.
Phone: 1-800-255-0316 • Fax: 1-785-346-2194
sales@osborne-ind.com • www.osbornelivestockequipment.com

OSBORNE BIG WHEEL® SERIE RF2R

COMEDERO DE ENGORDA PARA ENGORDA

LISTA DE PARTES



Comedero de engorda RF2 - 4.5 bu.		
Ítem #	Parte #	Descripción
1	KF-N10002	Tolva superior
2	KF-N10007 or KF-N1ZP01	Barredor de alimento con tornillo Barredor de alimento de zinc con tornillo
3	KF-F20005	Tolva inferior
4	INCLUDED IN BOLT KIT	Perno de ajuste, 5/16 x 1 3/4 pulg. Tuerca de ajuste, 5/16 pulg. Tuerca de seguridad, 5/16 pulg.
5	INCLUDED IN BOLT KIT	Pernos jaula divisoria, 5/16 x 7/8 pulg. (7 c/u) Tuercas jaula divisoria, 5/16 pulg. (7 c/u)
6	KF-F20002 or KF-F2G001	Jaula divisoria Jaula divisoria de acero galvanizado
7	INCLUDED IN BOLT KIT	Pernos jaula divisoria, 5/16 x 7/8 pulg. (8 c/u) Tuercas jaula divisoria, 5/16 pulg. (8 c/u)
8	KF-F20003 or KF-F2G002	Rueda Rueda de acero galvanizado
9	IN BOLT KIT	Golilla de rueda, 3/4 pulg.
10	KF-N10008 or KF-N1ZP02	Eje Eje de zinc
11	IN BOLT KIT	Pernos del eje, 10-24 (4 c/u)
12	KF-F20001	Plato
13	IN BOLT KIT	Tuercas del eje, 10-24 (4 c/u)
14	KF-F10024	Mecanismo de flujo de alimento
15	KF-F20004 or KF-F2ZP01	Barra transversal y anillo Barra transversal y anillo de zinc
16	IN BOLT KIT	Pernos de la barra transversal, 1/4 x 1 pulg. (4 c/u) Tuercas de la barra transversal, 1/4 pulg. (4 c/u)
17	KF-N10013 or KF-N1ZP05	Barra del cono Barra del cono de zinc
18A 18B 18C	INCLUDED IN BOLT KIT	Perno, 3/8 x 1 1/2 pulg. Tuerca aseg. hex. 3/8 pulg. Golilla de soporte del cono, 5/16 pulg. (2 c/u)
19	KF-N10004	Cono
20	KF-N10009 or KF-N1ZP03	Soporte del cono Soporte del cono de zinc
21	FF-00RN1B or FF-00RN1BZP	Barra agitadora (2 c/u) Barra agitadora de zinc (2 c/u)
22	RFN-2400 RFW-2000	Tuerca barra agitadora (2 c/u) Golilla barra agitadora (2 c/u)
23	FF-00RF2E	Soporte de ancla (3 c/u; ordenar por separado)
24	FF-00RN1L	Tapa de la tolva (ordenar por separado)
KITS DE PERNOS DE REPUESTO		
KF-F20006	Kit de pernos (incluye kit de pernos de la jaula)	
KF-F10013	Kit de pernos de la jaula	

Accesorios adicionales, como tapas de comederos y opciones múltiples de adaptadores para rejas, están disponibles en Osborne y deben ser ordenados por separado.



P.O. Box 388 • Osborne, KS 67473 U.S.A.
Teléfono: 1-785-346-2192 • Fax: 1-785-346-2194
sales@osborne-ind.com • www.osbornelivestockequipment.com