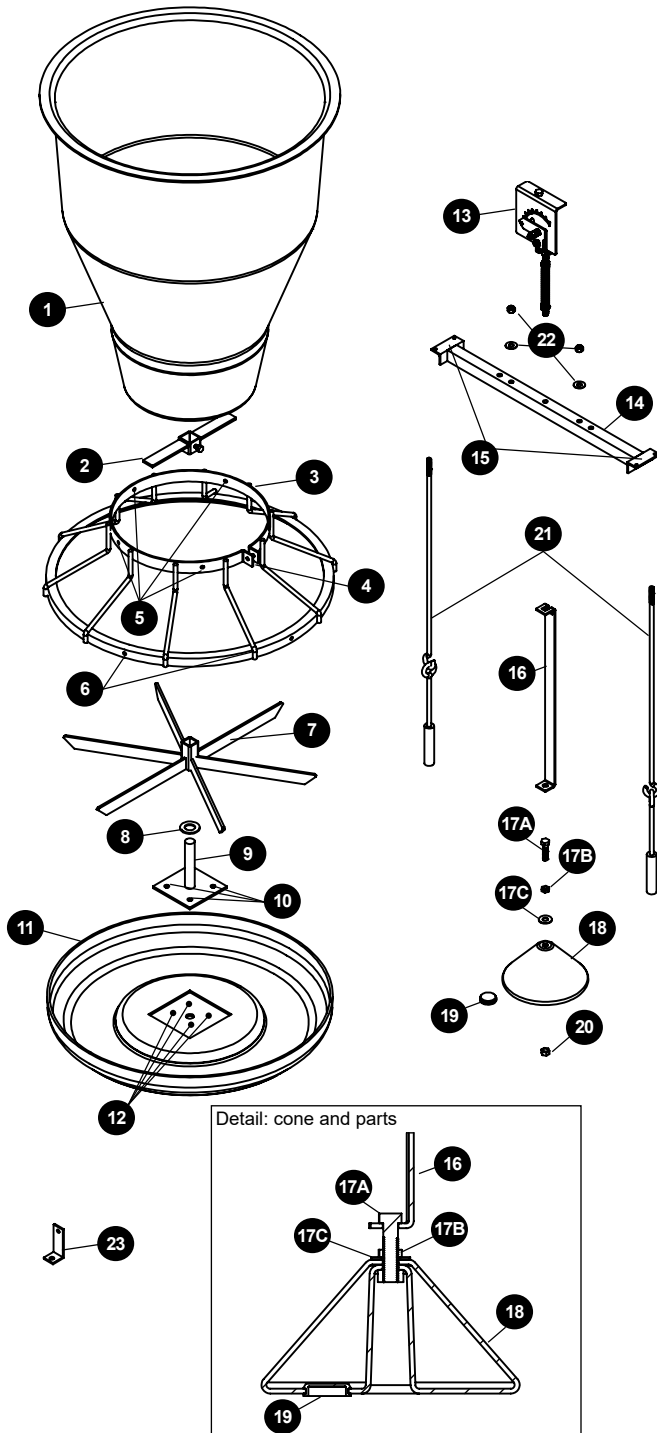


OSBORNE BIG WHEEL® RN4 SERIES NURSERY CONFINEMENT FEEDER PARTS LIST



Osborne Big Wheel® RN4 Round Nursery Feeder - 1 bu.		
Item #	Part #	Description
1	KF-N40001	Hopper
2	KF-N30006 or KF-N3S003	Feed sweep with set screw Feed sweep with set screw (stainless steel)
3	KF-N40003 or KF-N4S001	Cage divider Cage divider (stainless steel)
4	INCLUDED IN BOLT KIT	1/4 x 1-1/4-in. cage tightener bolt 1/4-in. hex cage tightener nut 1/4-in. cage tightener jam nut
5	INCLUDED IN BOLT KIT	1/4 x 5/8-in. cage divider bolts (5 ea.) 1/4-in. cage divider nuts (5 ea.)
6	INCLUDED IN BOLT KIT	1/4 x 5/8-in. cage divider bolts (5 ea.) 1/4-in. cage divider nuts (5 ea.)
7	KF-N40004 or KF-N4S002	Feed wheel Feed wheel (stainless steel)
8	IN BOLT KIT	3/4-in. feed wheel washer
9	KF-N30007 or KF-N3S004	Axle assembly Axle assembly (stainless steel)
10	IN BOLT KIT	10-24 flat-head machine screws (4 ea.)
11	KF-N40002	Trough
12	IN BOLT KIT	10-24 flange nuts (4 ea.)
13	KF-F10024	Feed flow control
14	KF-N40006	Crossbar
15	INCLUDED IN BOLT KIT	10-24 round-head machine screws (4 ea.) 10-24 crossbar nuts (4 ea.)
16	KF-N40009	Cone strap
17A 17B 17C	INCLUDED IN BOLT KIT	3/8 x 1 1/2-in. bolt 3/8-in. jam hex nut 3/8-in. flat washer
18	RMX-1010	Cone
19	IN BOLT KIT	Button plug
20	IN BOLT KIT	3/8-in. hex nut
21	FF-00RN4B	Bump bar agitator (2 ea.)
22	RFN-2400 RFW-2000	Bump bar lock nut (2 ea.) Bump bar washer (2 ea.)
23	KF-N40007 or KF-N4S003	Anchor bracket (3 ea) Anchor bracket (stainless steel; order separately)
Replacement Bolt Kits		
KF-N30011	Bolt kit (includes trough divider bolt kit)	
KF-N30012	Trough divider bolt kit	
KF-N3S005	Bolt kit (includes trough divider bolt kit; stainless steel)	
KF-N3S006	Trough divider bolt kit (stainless steel)	

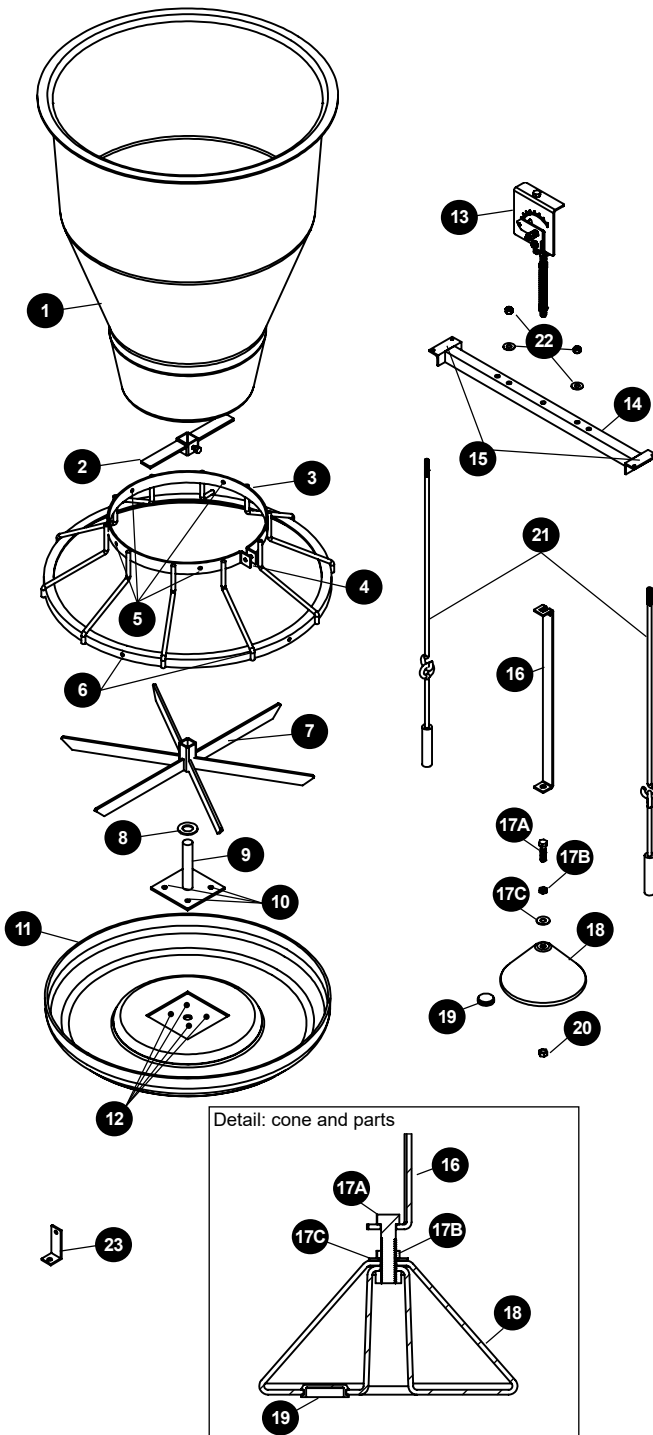


P.O. Box 388 • Osborne, KS 67473 U.S.A.
Phone: 1-800-255-0316 • Fax: 1-785-346-2194
sales@osborne-ind.com • www.osbornelivestockequipment.com

OSBORNE BIG WHEEL® SERIE RN4

COMEDERO PARA RECRIA

LISTA DE PARTES



Comedero para recría RN4 - 1 bu.		
Ítem #	Parte #	Descripción
1	KF-N40001	Tolva
2	KF-N30006 or KF-N3S003	Barredor de alimento con tornillo Barredor de alimento de acero inox. con tornillo
3	KF-N40003 or KF-N4S001	Jaula divisoria Jaula divisoria de acero inoxidable
4	INCLUDED IN BOLT KIT	Perno de ajuste, 1/4 x 1-1/4 pulg. Tuerca de ajuste, 1/4 pulg. Tuerca de seguridad, 1/4 pulg.
5	INCLUDED IN BOLT KIT	Pernos jaula divisoria, 1/4 x 5/8 pulg. (5 c/u) Tuercas jaula divisoria, 1/4 pulg. (5 c/u)
6	INCLUDED IN BOLT KIT	Pernos jaula divisoria, 1/4 x 5/8 pulg. (5 c/u) Tuercas jaula divisoria, 1/4 pulg. (5 c/u)
7	KF-N40004 or KF-N4S002	Rueda Rueda de acero inoxidable
8	IN BOLT KIT	Golilla de rueda, 3/4 pulg.
9	KF-N30007 or KF-N3S004	Eje Eje de acero inoxidable
10	IN BOLT KIT	Pernos del eje, 10-24 (4 c/u)
11	KF-N40002	Plato
12	IN BOLT KIT	Tuercas del eje, 10-24 (4 c/u)
13	KF-F10024	Mecanismo de flujo de alimento
14	KF-N40006	Barra Transversal
15	INCLUDED IN BOLT KIT	Pernos barra transversal, 10-24 (4 c/u) Tuercas barra transversal, 10-24 (4 c/u)
16	KF-N40009	Barra del cono
17A 17B 17C	INCLUDED IN BOLT KIT	Perno, 3/8 x 1-1/2 pulg. Tuerca aseg. hex. 3/8 pulg. Golilla, 3/8 pulg.
18	RMX-1010	Cono
19	IN BOLT KIT	Tapón
20	IN BOLT KIT	Tuerca hex. 3/8 pulg.
21	FF-00RN4B	Barra agitadora (2 c/u)
22	RFN-2400 RFW-2000	Tuerca barra agitadora (2 c/u) Golilla barra agitadora (2 c/u)
23	KF-N40007 or KF-N4S003	Soporte de ancla (3 c/u) Soporte de ancla de acero inox. (ordenar por separado)
KITS DE PERNOS DE REPUESTO		
KF-N30011	Kit de pernos (incluye kit de pernos de la jaula)	
KF-N30012	Kit de pernos de la jaula	
KF-N3S005	Kit de pernos (incluye pernos de la jaula, acero inox.)	
KF-N3S006	Kit de pernos de la jaula (acero inox.)	