

RO Big Wheel® Feeder Part Diagram

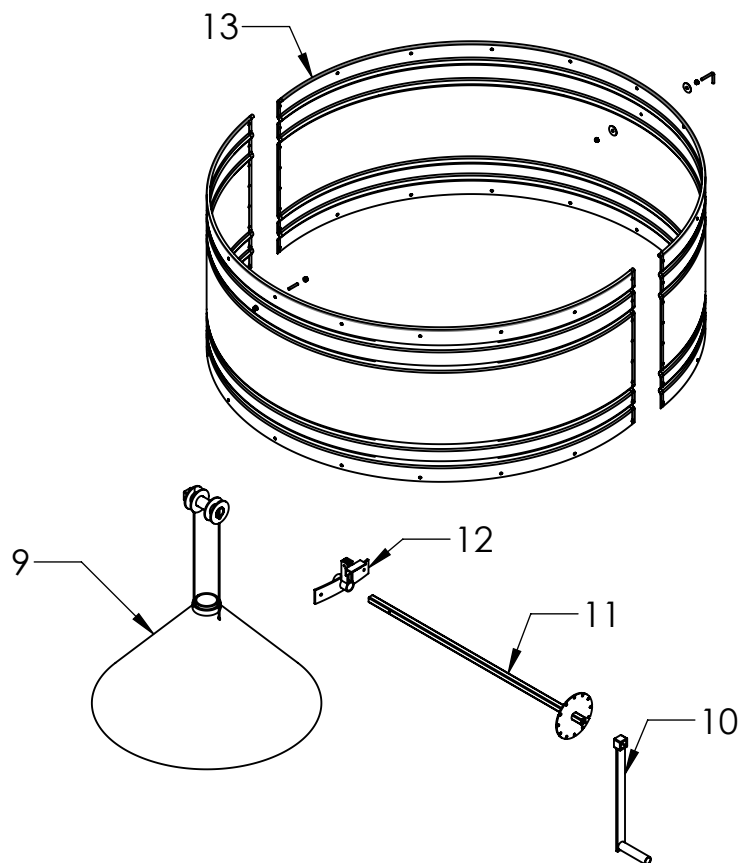
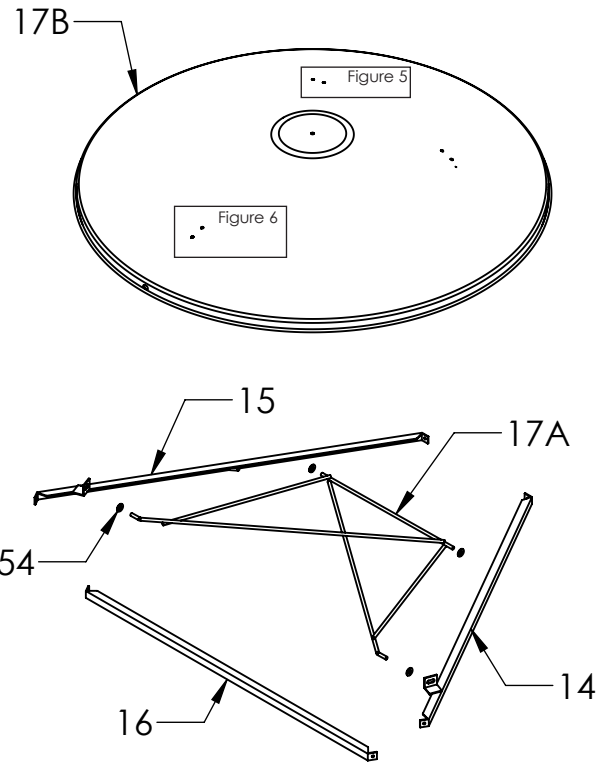
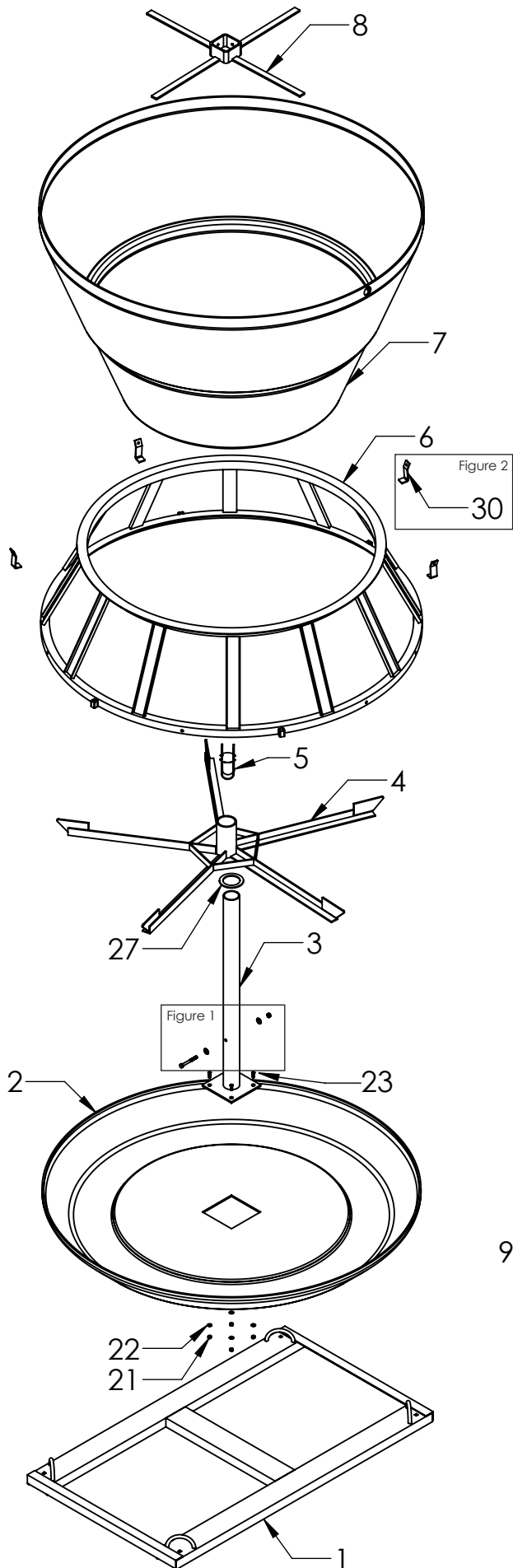


Figure 1

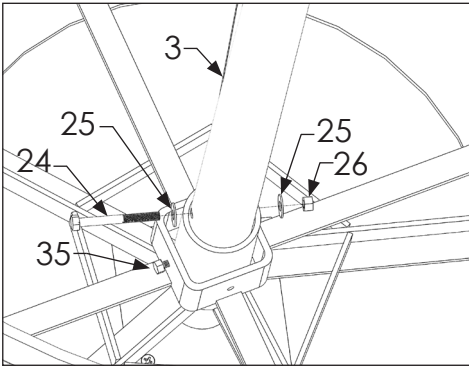


Figure 2

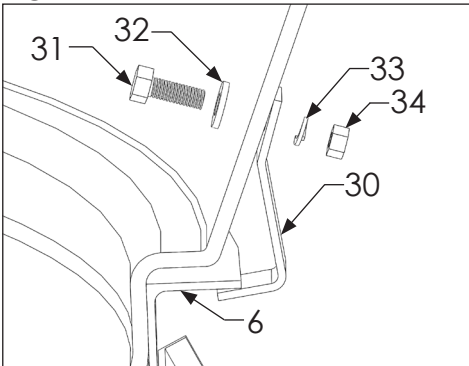


Figure 4

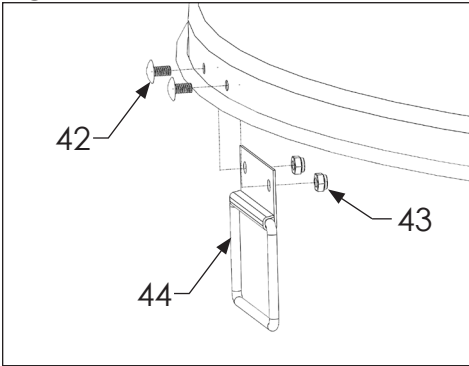


Figure 5

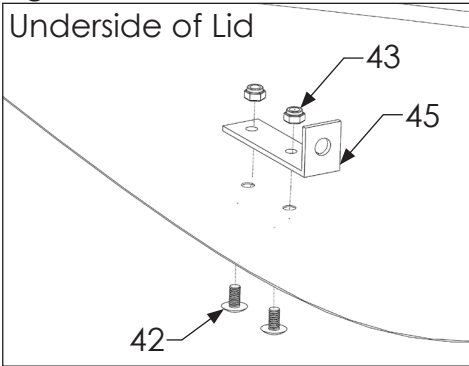
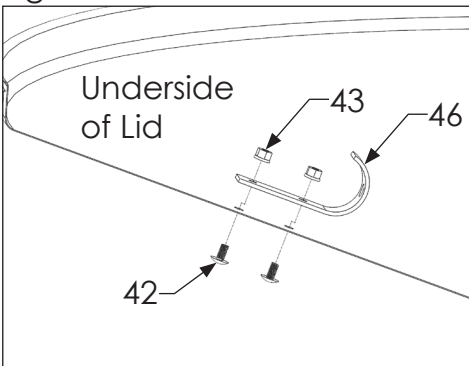


Figure 6



Osborne Big Wheel® RO Outdoor/Bulk Feeder Parts List							
Item #	Part #	Description	Quantity				
			RO25	RO45	RO65	RO85	RO105
1	KF-O10015	Skid Assembly (Sold Separately)	-	-	-	-	-
	KF-O10013	Skid Bolt Kit (Sold Separately; Items Below)	-	-	-	-	-
	RFB-3900	Carriage Bolt, 3/8 x 8-in.	4	4	4	4	4
	RFN-3100	Hex Nut, 3/8-in.	8	8	8	8	8
	RFW-3100	Flat Washer, 3/8-in.	4	4	4	4	4
2	KF-O10003	Fiberglass Trough	1	1	1	1	1
3	KF-O10008	Axle	1	1	1	1	1
4	KF-O10006	Feed Wheel	1	1	1	1	1
5	KF-O10020	Axle Cover	1	1	1	1	1
6	KF-O10005	Trough Divider Cage	1	1	1	1	1
7	KF-O10001	Fiberglass Hopper Bottom	1	1	1	1	1
8	KF-O10007	Feed Sweep	1	1	1	1	1
9	KF-O10004	Cone Assembly (Contains Items Below)	1	1	1	1	1
	SF-O10005	Fiberglass Cone	1	1	1	1	1
	SF-O10007	Cone Support	1	1	1	1	1
	SF-O10012	Spool	1	1	1	1	1
	SF-O10088	Cable Assembly	2	2	2	2	2
10	KF-O10011	Cone Adjust Handle	1	1	1	1	1
11	KF-O10009	Cone Adjust Rod	1	1	1	1	1
12	KF-O10010	Cone Adjust Bracket	1	1	1	1	1
13	SF-O10052	Metal Cylinder Half	0	2	4	6	8
	KF-O10012	Crossbar Kit (Contains Items Below)	N/A	1	1	1	1
14	SF-O10077	Crossbar with Hinge/Right Side	N/A	1	1	1	1
15	SF-O10078	Crossbar with Hinge/Left Side	N/A	1	1	1	1
16	SF-O10038	Plain Crossbar	N/A	1	1	1	1
	KF-O10014	Hopper Lid (Sold Separately; Items Below)	N/A	-	-	-	-
17A	SF-O10042	Hinge Weldment	0	1	1	1	1
17B	SF-O10041	Metal Lid	0	1	1	1	1
	SF-O10044	Lid Bolt Kit (Includes Items 42-51 Below)	-	-	-	-	-
18	KF-O10022	Step	N/A	N/A	1	1	1
19	KF-O10018	Hand Grip	N/A	N/A	N/A	1	N/A
20	KF-O10021	Ladder	N/A	N/A	N/A	N/A	1
	KF-O10016	Feeder Bolt Kit (Items Below)	1	1	1	1	1
21	RFN-1101	SS Hex Nut, 1/4-in.	4	4	4	4	4
22	RFW-1201	SS Flat Washer, 1/4-in.	4	4	4	4	4
23	RFB-1351	SS Bolt, 1/4 x 7/8-in.	4	4	4	4	4
24	RFB-2300	Hex-Head Bolt, 5/16 x 3-in.	1	1	1	1	1
25	RFW-2000	Flat Washer, 5/16-in.	2	2	2	2	2
26	RFN-2100	Hex Nut, 5/16-in.	1	1	1	1	1
27	RFW-9700	Flat Washer, 2 1/2-in.	1	1	1	1	1
28	RFB-2050	Bolt, 5/16 x 7/8-in.	12	12	12	12	12
29	RFN-2300	Hex Flange Nut, 5/16-in.	12	12	12	12	12
30	SF-O10064	Hopper Tie-Down Bracket	4	4	4	4	4
31	RFB-1400	Bolt, 1/4 x 1-in.	6	6	6	6	6
32	RFW-2350	Neoprene-Backed Washer, 5/16-in.	4	4	4	4	4
33	RFN-1300	Lock Washer, 1/4-in.	4	4	4	4	4
34	RFN-1100	Hex Nut, 1/4-in.	4	4	4	4	4
35	RFB-1100	Fine-Thread Bolt, 1/4 x 1/2-in.	2	2	2	2	2
36	RFN-1300	Hex Flange Nut, 1/4-in.	2	2	2	2	2
37	RFB-1680	Bolt, 1/4 x 2 1/4-in.	1	1	1	1	1
38	RFN-1400	Hex Lock, Nylon Insert, 1/4-in.	1	1	1	1	1
	RLX-0306	Warning Label	1	1	1	1	1
	RLX-0342	Crank Adjustment Label	1	1	1	1	1
	SF-O10003	Top Cylinder/Extension Bolt Kit (Items Below)	N/A	1	1	1	1
39	RFB-1010	Truss-Head Bolt, 1/4 x 1/2-in.	N/A	36	72	108	144
40	RFN-1300	Hex Flange Nut, 1/4-in.	N/A	39	78	117	156
41	RFB-1410	Truss-Head Bolt, 1/4 x 1-in.	N/A	3	6	9	12
	SF-O10044	Lid Bolt Kit (Sold Separately; Items Below)	N/A	-	-	-	-
42	RFB-1010	Bolt, 1/4 x 1/2-in.	N/A	9	9	9	9
43	RFN-1300	Hex Flange Nut, 1/4-in.	N/A	11	11	11	11
44	SF-O10029	Lid Hold-Down Bracket	N/A	1	1	1	1
45	SF-O10043	Lid Hinge Bracket	N/A	2	2	2	2
46	SF-O10069	Lid Stop Bracket	N/A	1	1	1	1
47	RFB-1655	L-Bolt, 1/4 x 1 1/2-in.	N/A	1	1	1	1
48	RFN-1400	Hex Lock, Nylon Insert, 1/4-in.	N/A	2	2	2	2
49	RFW-1700	Fender Washer, 1/4 x 1 1/4-in.	N/A	2	2	2	2
50	RFB-1656	Stud Bolt, 1/4 x 1 1/2-in.	N/A	1	1	1	1
51	RFW-3100	Flat Washer, 3/8-in.	N/A	4	4	4	4