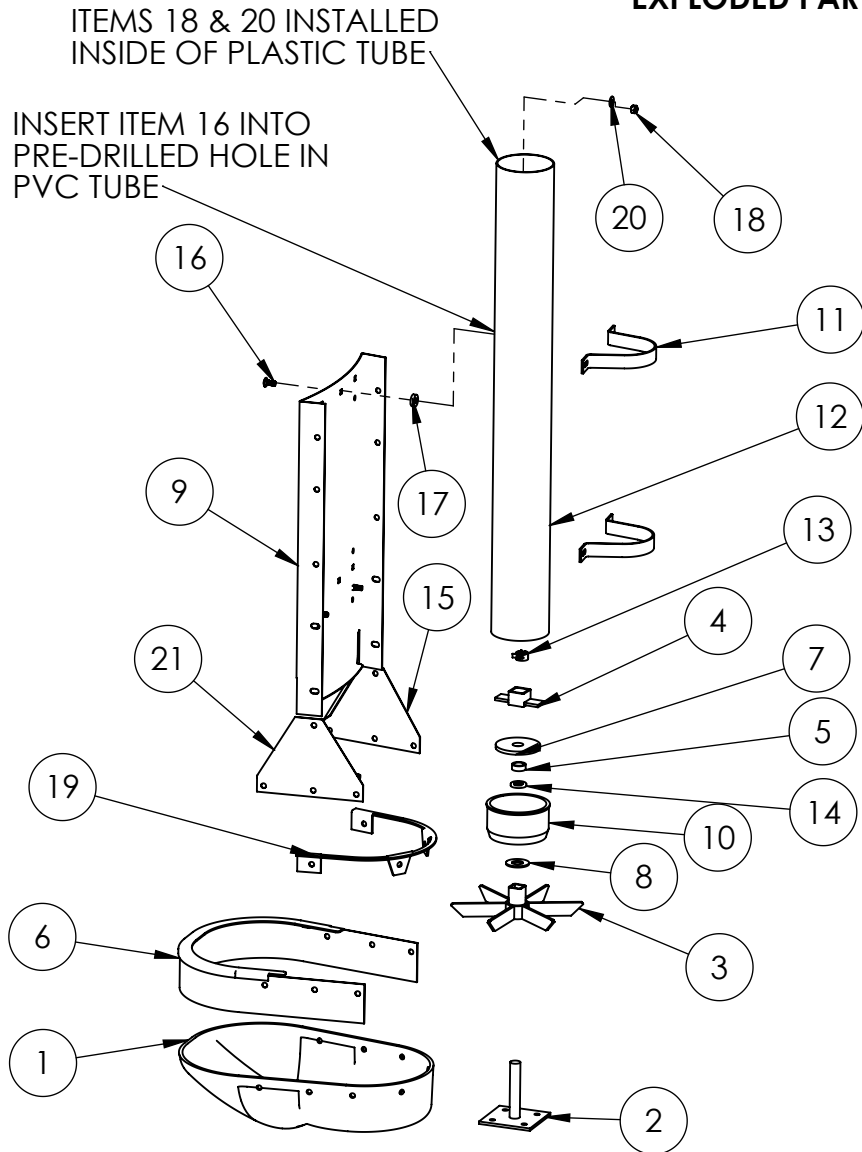


OSBORNE BIG WHEEL® AD-LIB SOW FEEDER
FF-00S110
EXPLODED PART DIAGRAM



ITEM NO.	PART NUMBER	DESCRIPTION	QTY.
1	KF-S10001	SOW FEEDER TROUGH	1
2	KF-N3S004	AXLE ASSEMBLY RN3S	1
3	KF-S10004	FEED WHEEL	1
4	KF-S10005	FEED SWEEP SF1	1
5	KF-S10013	SPACER, FEED WASHER SF1, 3/8"	1
6	KF-S10019	TROUGH RING SF1, SS	1
7	KF-S10006	FEED WASHER	1
8	RFW-7001	FEED WHEEL WASHER	1
9	KF-S10002	BACK PANEL	1
10	KF-S10008	HOPPER CAP	1
11	KF-S11003	HOPPER TUBE CLAMP	2
12	KF-S11001	DROP TUBE	1
13	RFD-1420	SELF-TIGHTENING SPRING CLAMP	1
14	RFM-7410	CAP, PLASTIC HOSE 1.056	1
15	KF-S10011	LEFT SIDE BRACE	1
16	RFB-2052	CARRIAGE BOLT 5/16 X 3/4 ZP	5
17	RFW-3155	WASHER 3/8 X 7/8 NEOPRENE RUBBER	1
18	RFN-2400	NUT 5/16 HEX LOC NYLON ZP	1
19	KF-S10012	SOW FEEDER TROUGH BACK RING	1
20	RFW-1100	WASHER 1/4 FLAT ZP	1
21	KF-S10010	RIGHT SIDE BRACE	1

EN-1036



www.osbornelivestockequipment.com
 Osborne Industries, Inc.