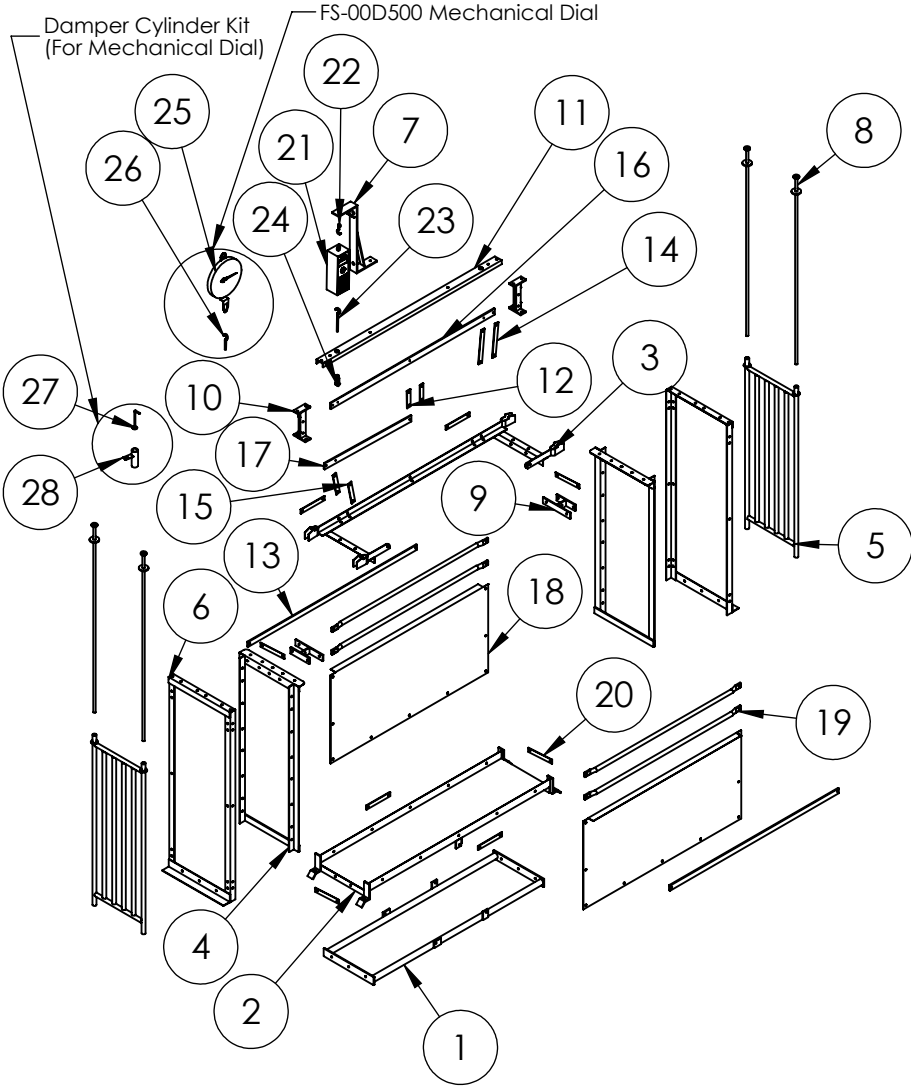


OSBORNE ACCU-ARM® Portable Scale

**FS-PSN500**  
**Narrow (18") Scale**



ITEM NO.	PART NUMBER	DESCRIPTION	QTY.
1	KS_PSN005	FRAME BOTTOM 500N	1
2	KS_PSN001	BASKET FLOOR 500N	1
3	KS_PSN002	BASKET TOP 500N	1
4	KS_PSN004	BASKET END 500N	2
5	KS_PSN006	SCALE GATE 500N	2
6	KS_PSN003	FRAME END 500N	2
7	KS_PS0003	DIAL HANGER	1
8	KS_PS0007	GATE DROP ROD	4
9	KS_PS0011	BASKET HANGER BRACKET	2
10	KS_PSG202	END ASSEMBLY, ZP	2
11	KS_PS0201	TOP CHANNEL OSA	1
12	KS_PS0203	SHORT SWAY BAR	2
13	KS_PS0204	TIE BARS	2
14	KS_PS0205	LONG HANGING LINK	2
15	KS_PS0206	MEDIUM HANGING LINK	2
16	KS_PS0207	LONG SCALE ARM	1
17	KS_PS0208	SHORT SCALE ARM	1
18	KS_PS0001	SCALE SIDE	2
19	KS_PS0006	BASKET SIDE BAR	4
20	KS_PS0012	SWAY BAR	8
21	FS_00E500R	DIGITAL WEIGH SCALE METER	1
22	RFB_1720	HOOK BOLT 1/4" X 2-1/2" ZP	1
23	RFB_2800	HOOK BOLT 5/16 X 6 ZP	1
24	RFM_5020	YOKE END ADJ FRP 5/16-24	1
25	RXW_1000	Dial 30 LB	1
26	RFB_2750	HOOK BOLT 5/16 X 4 ZP	1
27	KS_PS0302	DAMPER PISTON	1
28	KS_PS0301	DAMPER BODY	1



www.osbornelivestockequipment.com  
© 2014 Osborne Industries, Inc.