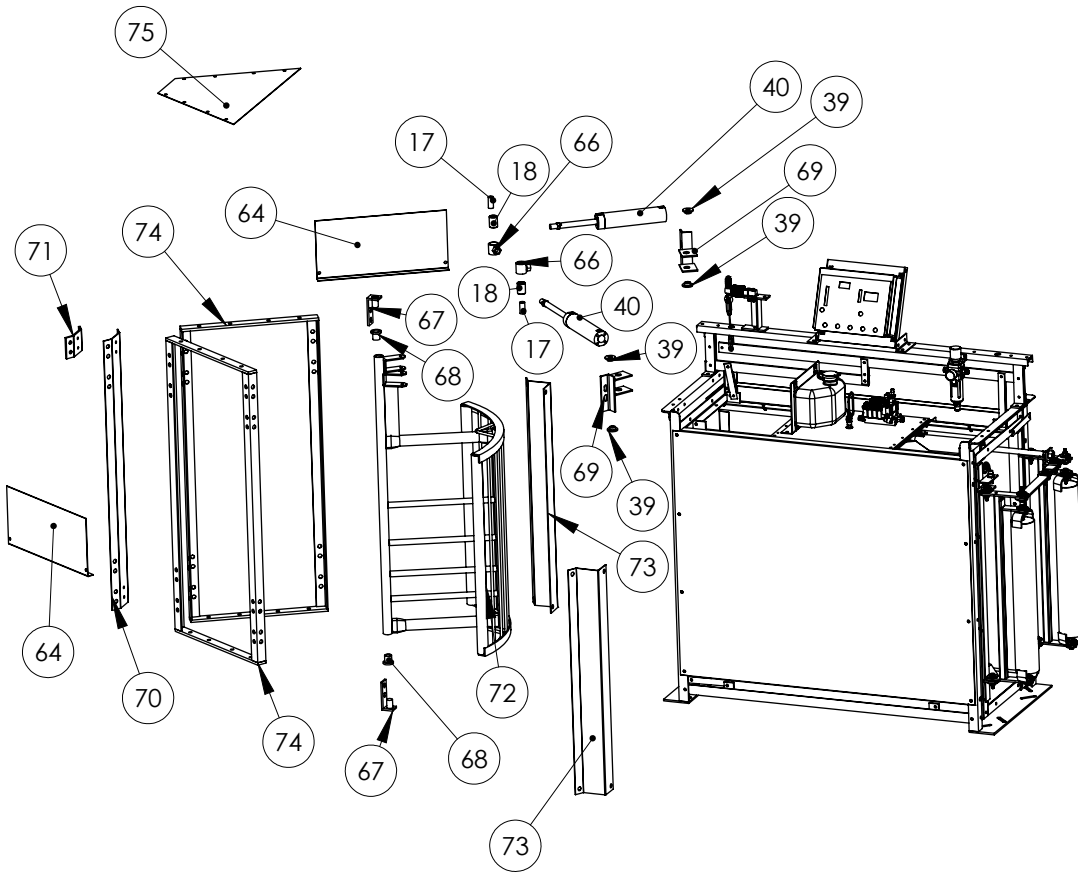


# FS-SS0100 Survey Scale Exit Gate Exploded View



Item No.	Part Number	Description	Qty.
17	SP-W12409	Wheel Bushing	2
18	RXC-4100	Steel Bushing for Entrance Gate Wheel	2
39	RFM-7420	Bushing Nylon Flange 1x7/16x1/2 Bore	6
40	RFF-4020	Air Cylinder 50x200 Metric Ports	3
43	KS-SS0127	Entrance Cylinder Backing Plate	1
46	KS-SS0112	Spray Marker/Detector Mount	1
51	KS-SS0106	Basket End Cap	2
54	KS-SS0114	Basket Side Panel	2
63	KS-SS0108	Survey Scale Side Panel	2
64	KS-SS0131	Tee Gate Side Guard	2
66	KS-SS0129	Gate Tee Nut	2
67	KG-G22900	Gate Hinge	2
68	RFM-7422	Bushing Nylon Flange 1-1/2x1-1/4x29/32 BC	2
69	KS-SS0118	Tee Gate Cylinder Mount	2
70	KS-SS0201	Switch Lok Back Plate	1
71	KS-SS0128	Tee Gate Hinge Mount Plate	1
72	KS-SS0117	Tee Gate	1
73	KS-SS0115	Adapter Plate	2
74	KG-G24700	Exit Door Frame	2
75	KS-SS0126B	Tee Gate Top Guard	1