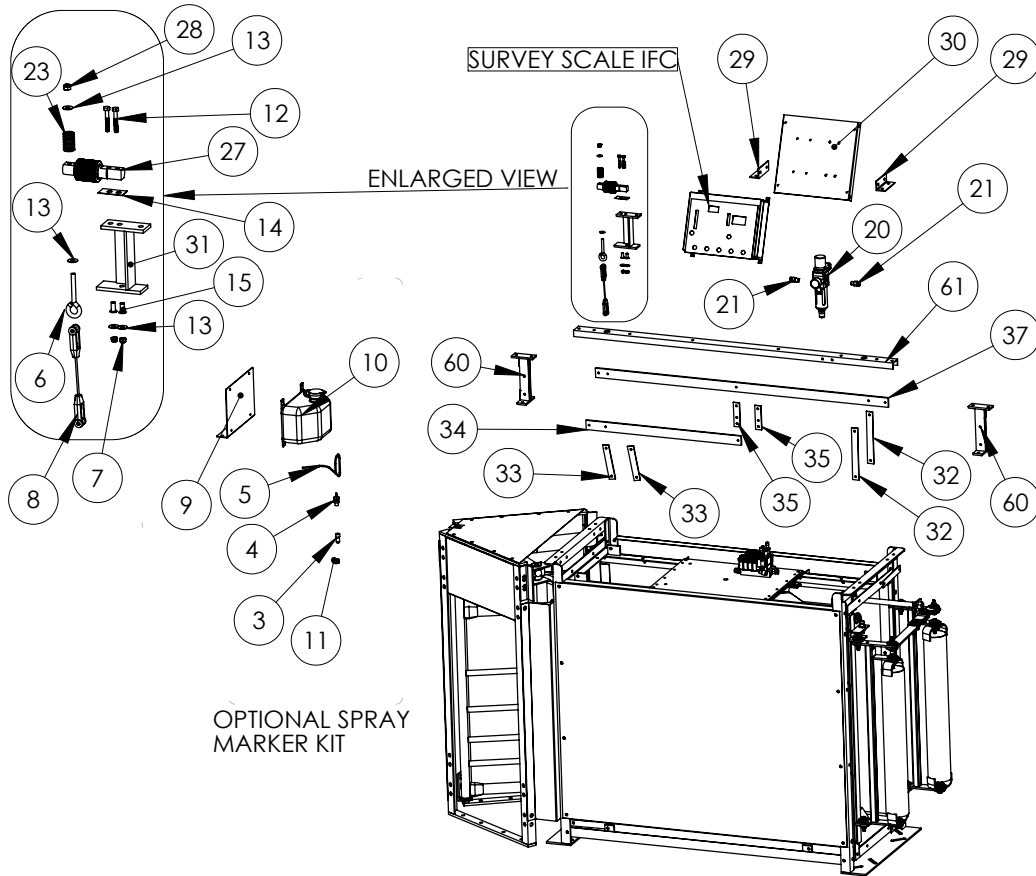


# FS-SS0100 Survey Scale Top Section Exploded View



Item No.	Part Number	Description	Qty.
3	RFF-1310	HFCS 1/4 X 3/4 ZP	1
4	RFF-2020	Check Valve 3 PSI	6
5	RMP-0300	Buna-N Rubber Tubing 5/32 ID	1
6	RFB-2310	Eyebolt 5/16 x 2 1/2 ZP	2
7	RFN-1400	Nut 1/4 Hex Loc Nylon Insert	2
8	KS-SS0135	Survey Scale Flexible Loadcell Connector	1
9	KP-AW106	Spray Marker Reservoir Mount	1
10	RFF-6000	Pump 24VDC w/ Reservoir	2
11	REE-3800	Grommet 7/16" ID 1/4" Groove	1
12	RFB-1671	HHCS 1/4 x 1 3/4 SS	1
13	RFW-1100	Washer 1/4 Flat ZP	1
14	SR-FFD601	Load Cell Isolation Pad	2
15	RFM-7423	Washer, 3/4" Long Barrel Shoulder	2
20	RFF-4035	1/4 NPT Steel Plug	4
21	RFF-4051	10 mm x PT 1/4 Male Adapter Metric	1
23	RFM-4410	Compression Spring .785 OD x 1.4 Long	1
27	KR-FDE230	FIRE® Load Cell	1
28	RFN-2400	Nut 5/16 Hex Loc Nylon ZP	1
29	KS-SS0105	Control Mount Angle	2
30	KS-SS0132	Control IFC Mount Plate	1
31	KS-FSC181C	Scale Load Cell Mount	1
32	KS-PS0205	Long Hanging Link (OSA)	2
33	KS-PS0206	Medium Hanging Link (OSA)	2
34	KS-PS0208	Short Scale Arm (OSA)	1
35	KS-PS0010	Short Basket Hanging Link	2
37	KS-PS0207	Long Scale Arm (OSA)	1
60	KS-PS0202	Frame End Top Assembly	2
61	KS-SS0109	Survey Scale Top Channel	1