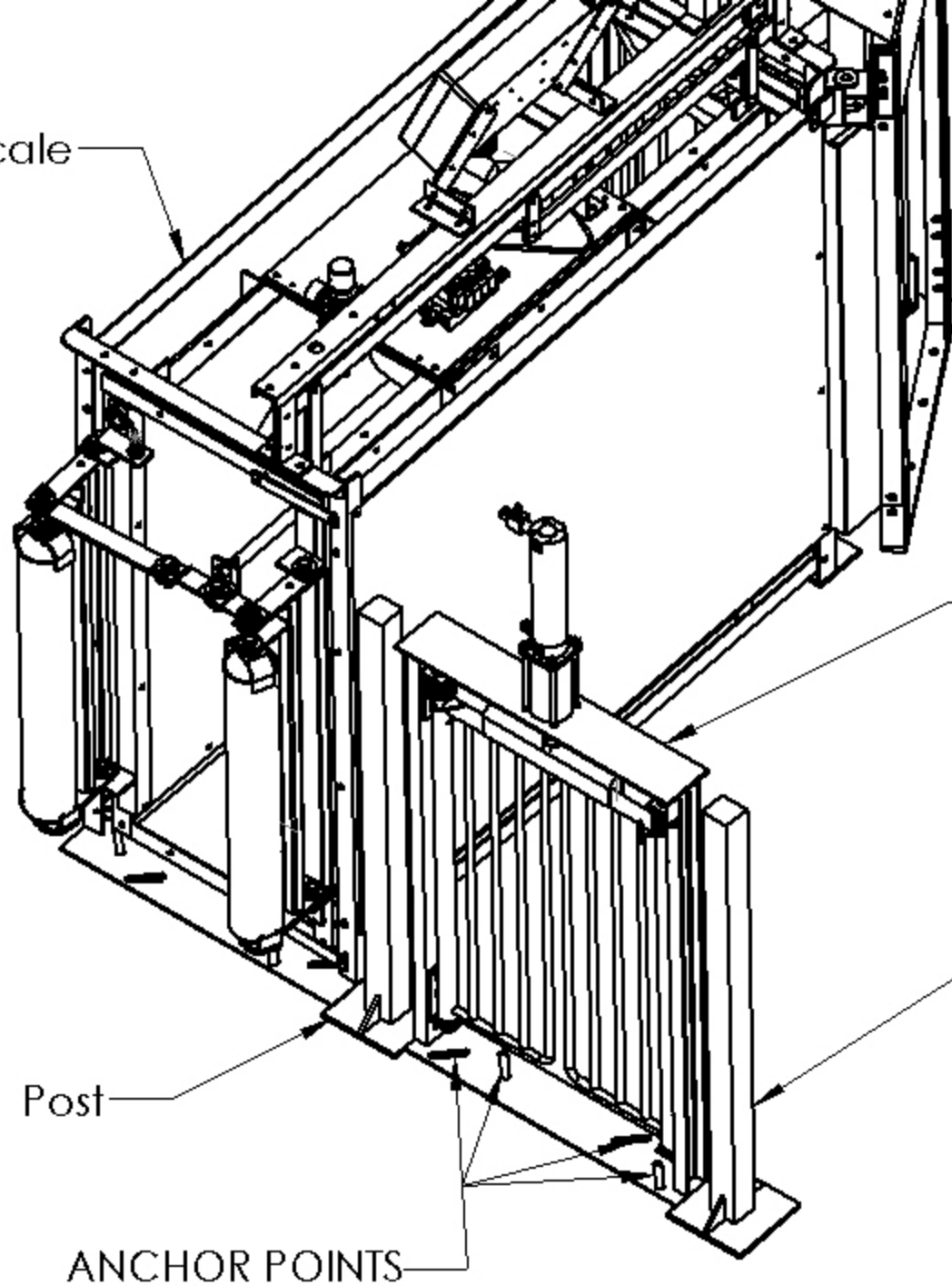


**Attach Bypass Gate
to posts.**

Survey Scale



By-pass Gate

Post

Post

ANCHOR POINTS