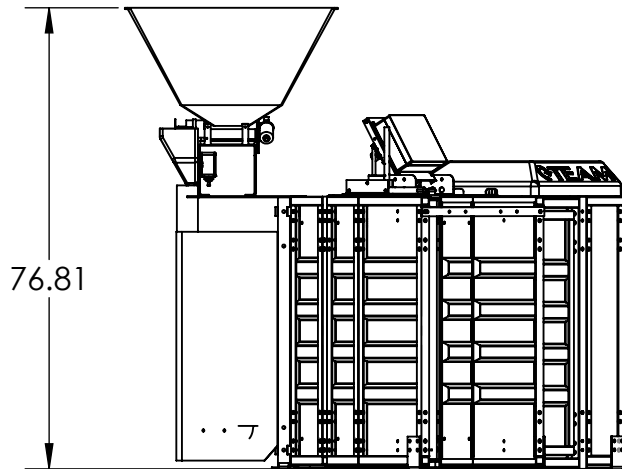
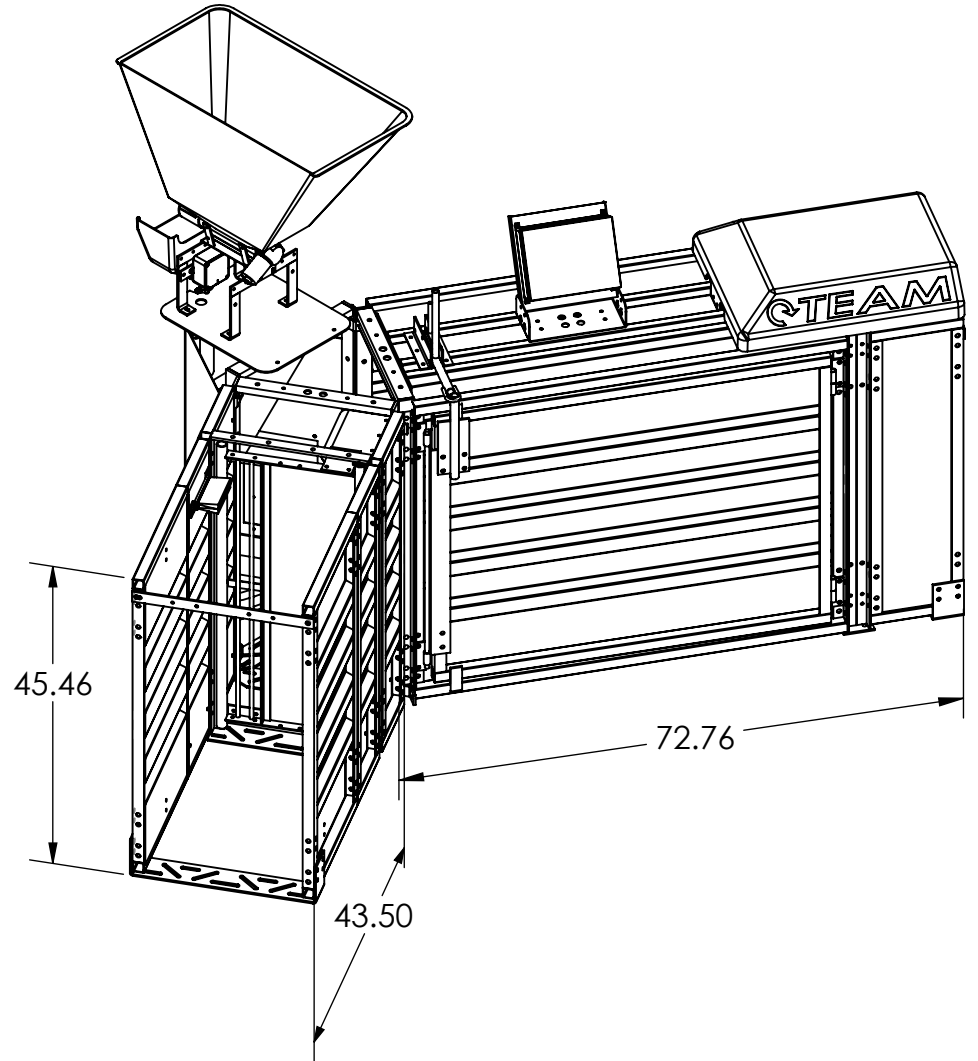
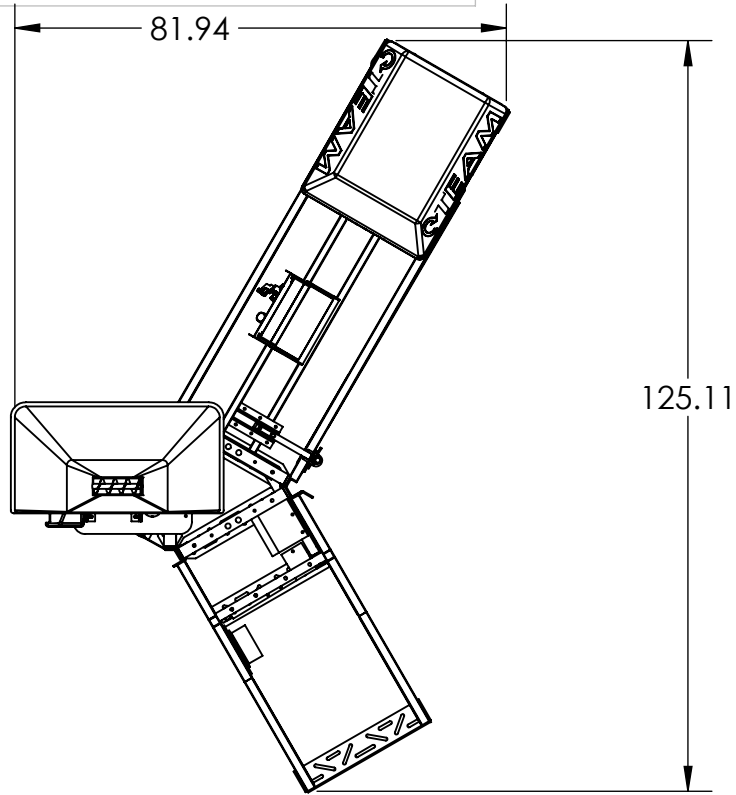


THE INFORMATION CONTAINED IN THIS DRAWING IS THE SOLE PROPERTY OF OSBORNE INDUSTRIES, INC. ANY REPRODUCTION IN PART OR WHOLE WITHOUT THE WRITTEN PERMISSION OF OSBORNE INDUSTRIES, INC. IS PROHIBITED.

REV	DESCRIPTION	DATE	APPROVED
A			



UNLESS OTHERWISE SPECIFIED DIMENSIONS ARE IN INCHES TOLERANCES ARE: FRACTIONS DECIMALS ANGLES ± .06 ± 0.010 ± 0.5°		CAD GENERATED DRAWING, DO NOT MANUALLY UPDATE		TITLE: Team Feeder G-Station w/120 Deg Exit	
		APPROVALS		DATE	
DRAWN		JMR		6-28-11	
CHECKED					
MATERIAL		RESP ENG			
FINISH		MFG ENG			
DO NOT SCALE DRAWING		QUAL ENG			
		OSBORNE INDUSTRIES INC.		REV. A	
		SIZE PART NO.		A FG_TG2000 Rev B	
		SCALE CAD FILE:		1:24 FG_TG2000 Rev B Overall Dimensions SEDRW	