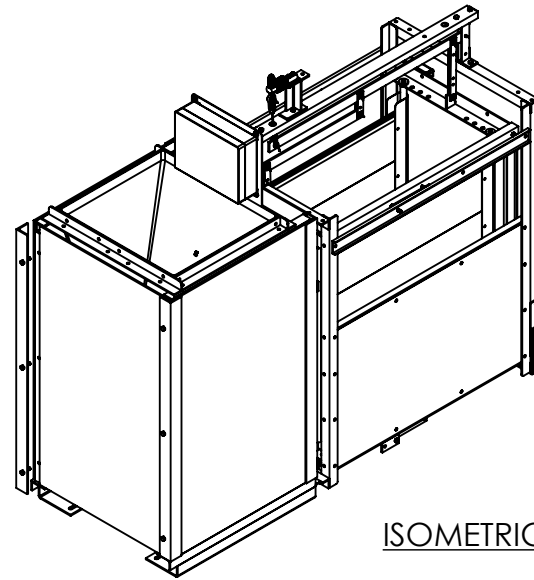
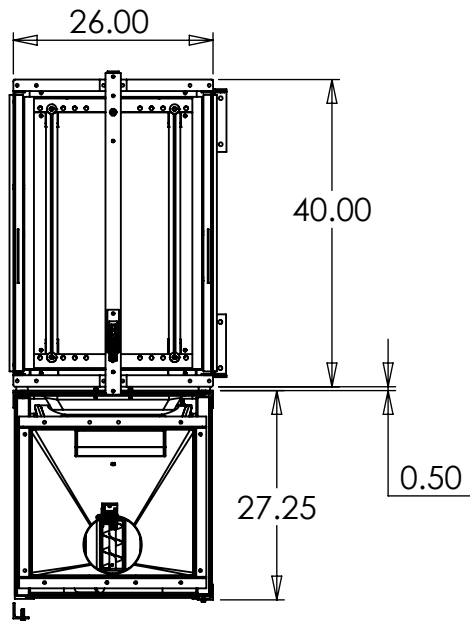
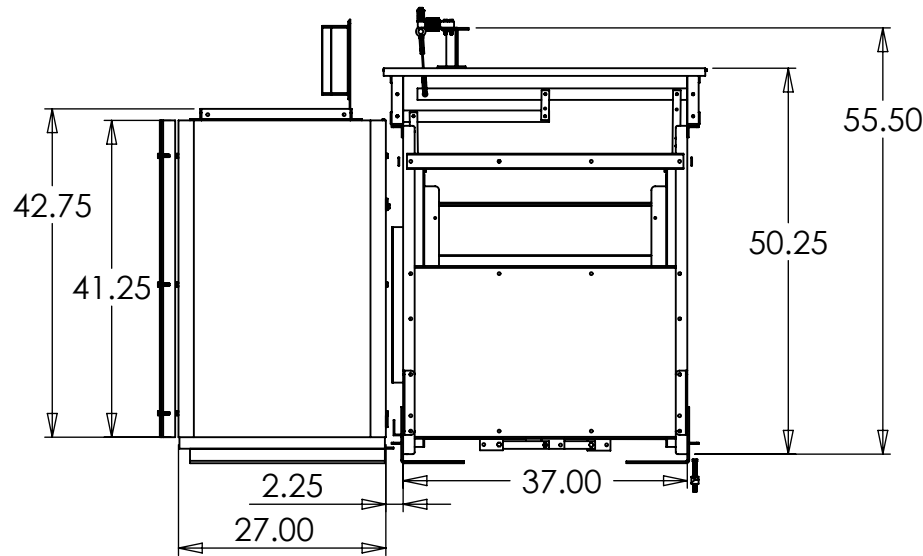
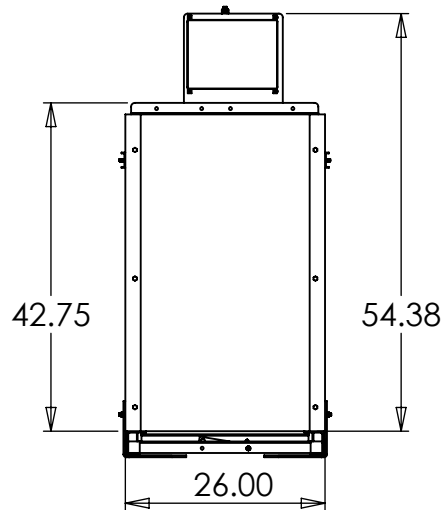


REV	DESCRIPTION	APP BY	DATE



ISOMETRIC VIEW



UNITS IN INCHES

PROPRIETARY AND CONFIDENTIAL
 THE INFORMATION CONTAINED IN THIS DRAWING IS THE SOLE PROPERTY OF OSBORNE INDUSTRIES, INC. ANY REPRODUCTION IN PART OR AS A WHOLE WITHOUT THE WRITTEN PERMISSION OF OSBORNE INDUSTRIES, INC. IS PROHIBITED.

DIMENSIONS ARE IN INCHES TOLERANCES: FRACTIONAL $\pm 1/32$ " ANGULAR: MACH ± 1 BEND ± 1 TWO PLACE DECIMAL ± 0.01 THREE PLACE DECIMAL ± 0.005		NAME	DATE
MATERIAL	--		
FINISH	--		
DO NOT SCALE DRAWING			

OSBORNE INDUSTRIES, INC

FIRE FEEDER AND SCALE

SIZE A	DWG. NO. FIRE FD4_FS4	REV. A
SCALE: 1:50	WEIGHT:	SHEET 1 OF 1