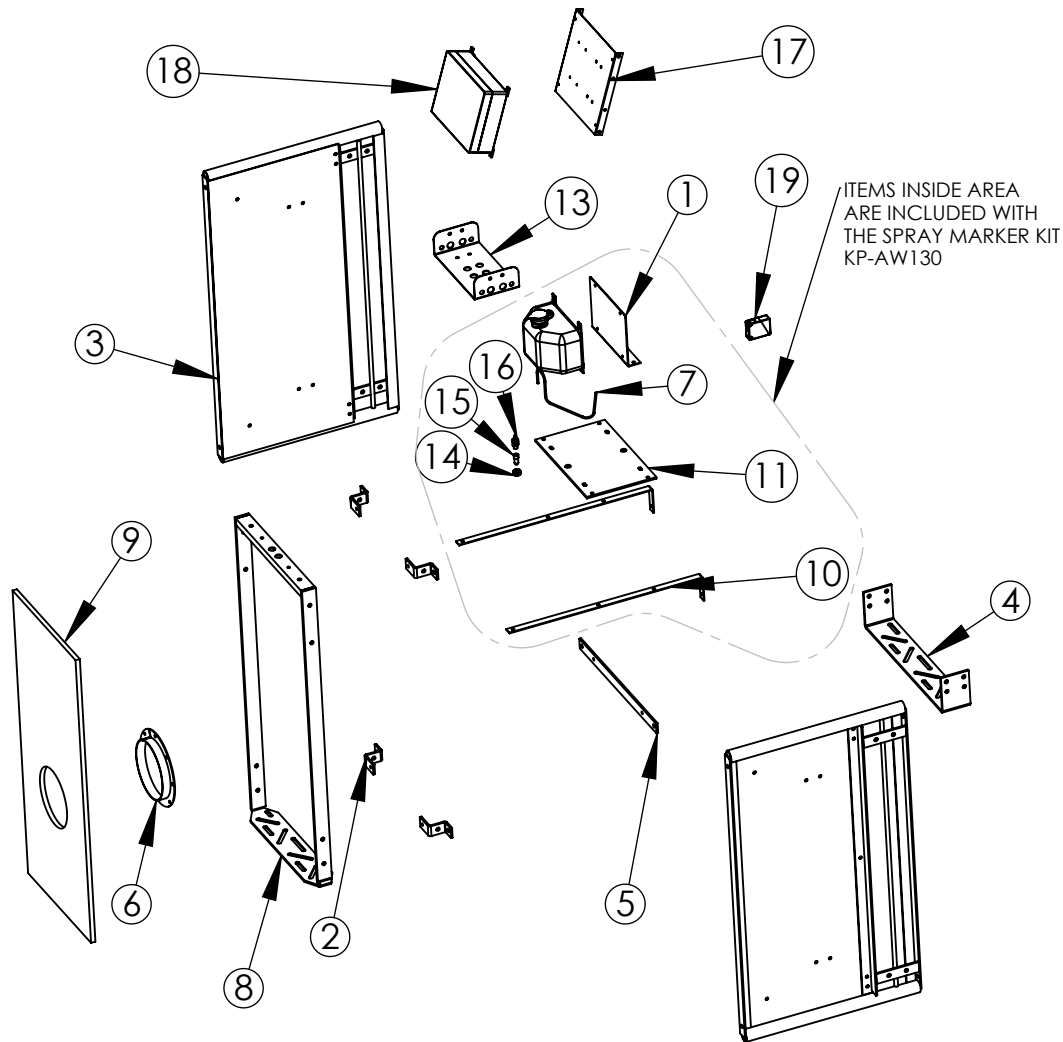


OSBORNE TEAM® ESF SYSTEM
ELECTRONIC ESTRUS DETECTION
FP-000ED2
E-STATION PARTS DIAGRAM



ITEM NO.	PART NUMBER	DESCRIPTION	QTY.
1	KP-EB910	SPRAY MARKER RESERVOIR MOUNT	1
2	KP-W14701	Z PANEL BRACKET	4
3	KP-W10701	EXIT PANEL	2
4	KG-G26600	TEAM ANCHOR PLATE	1
5	KP-W11701	E-STATION EXIT/ENTRANCE BRACE	1
6	KP-W14901	ESTRUS DETECTION PANEL RING	1
7	RMP-0300-18IN	BUNA-N RUBBER TUBING 5/32 ID	1
8	KP-W11301	EXIT FRAME	1
9	KG-E20500	E-STATION FRONT ANTENNA PNL, FIBERGLASS	1
10	KG-E20600	E-STATION SPRAY MARKER SUPPORT STRAP	2
11	KG-E20700	E-STATION SPRAY MARKER PLASTIC BASE	1
12	RFF-6000	SPRAY MARKER RESERVOIR/PUMP	1
13	KG-G25610	TEAM STATION CONTROL BRACKET	1
14	REE-3800	GROMMET 7/16-IN ID 1/4-IN GROOVE	1
15	RFF-1310	NOZZLE ADJUSTABLE SPRAY BRASS	1
16	RFF-2020	CHECK VALVE 3 PSI	1
17	KS-SS0132	CONTROL IFC MOUNT PLATE	1
18	REE-4065	TEAM IFC CONTROLLER	1
19	RES-0180	ELECTRONIC PHOTOSWITCH	1

MS-0525



www.osbornelivestockequipment.com

© 2014 Osborne Industries, Inc.