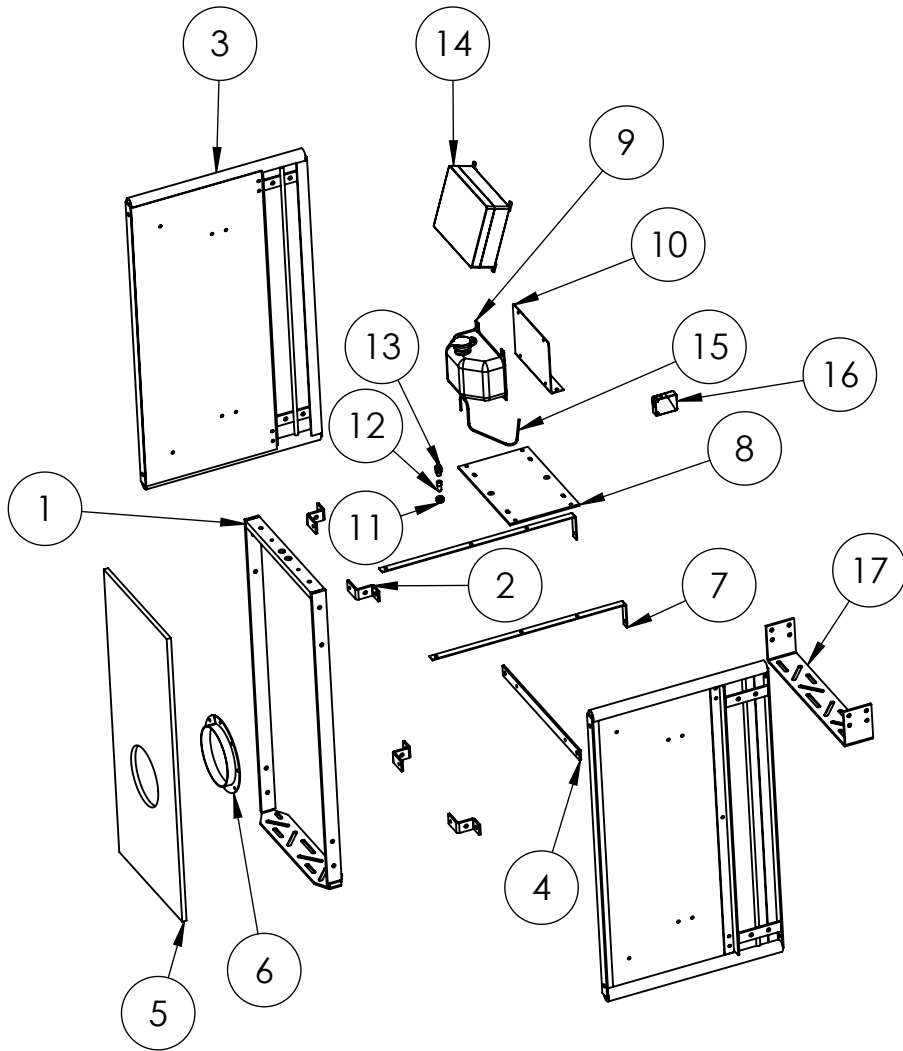


OSBORNE TEAM® ESF SYSTEM  
 ELECTRONIC ESTRUS DETECTION  
**FP-000ED3**  
**E-STATION PARTS DIAGRAM**



ITEM NO.	PART NUMBER	DESCRIPTION	QTY.
1	KP-W11301	EXIT FRAME	1
2	KP-W14701	Z PANEL BRACKET	4
3	KP-W10701	EXIT PANEL	2
4	KP-W11701	E-STATION EXIT/ENTRANCE BRACE	1
5	KG-E20500	E-STATION FRONT ANTENNA PNL, FIBERGLASS	1
6	KP-W14901	ESTRUS DETECTION PANEL RING	1
7	KG-E20600	E-STATION SPRAY MARKER SUPPORT STRAP	2
8	KG-E20700	E-STATION SPRAY MARKER PLASTIC BASE	1
9	RFF-6000	SPRAY MARKER RESERVOIR/PUMP	1
10	KP_EB910	SPRAY MARKER RESERVOIR MOUNT	1
11	REE-3800	GROMMET 7/16-IN ID 1/4-IN GROOVE	1
12	RFF-1310	NOZZLE ADJUSTABLE SPRAY BRASS	1
13	RFF-2020	CHECK VALVE 3 PSI	1
14	REE-4065	TEAM IFC CONTROLLER	1
15	RMP-0300-18IN	BUNA-N RUBBER TUBING 5/32 ID	1
16	RES-0180	ELECTRONIC PHOTOSWITCH	1
17	KG-G26600	TEAM ANCHOR PLATE	1



MS-0526

www.osbornelivestockequipment.com  
 © 2014 Osborne Industries, Inc.