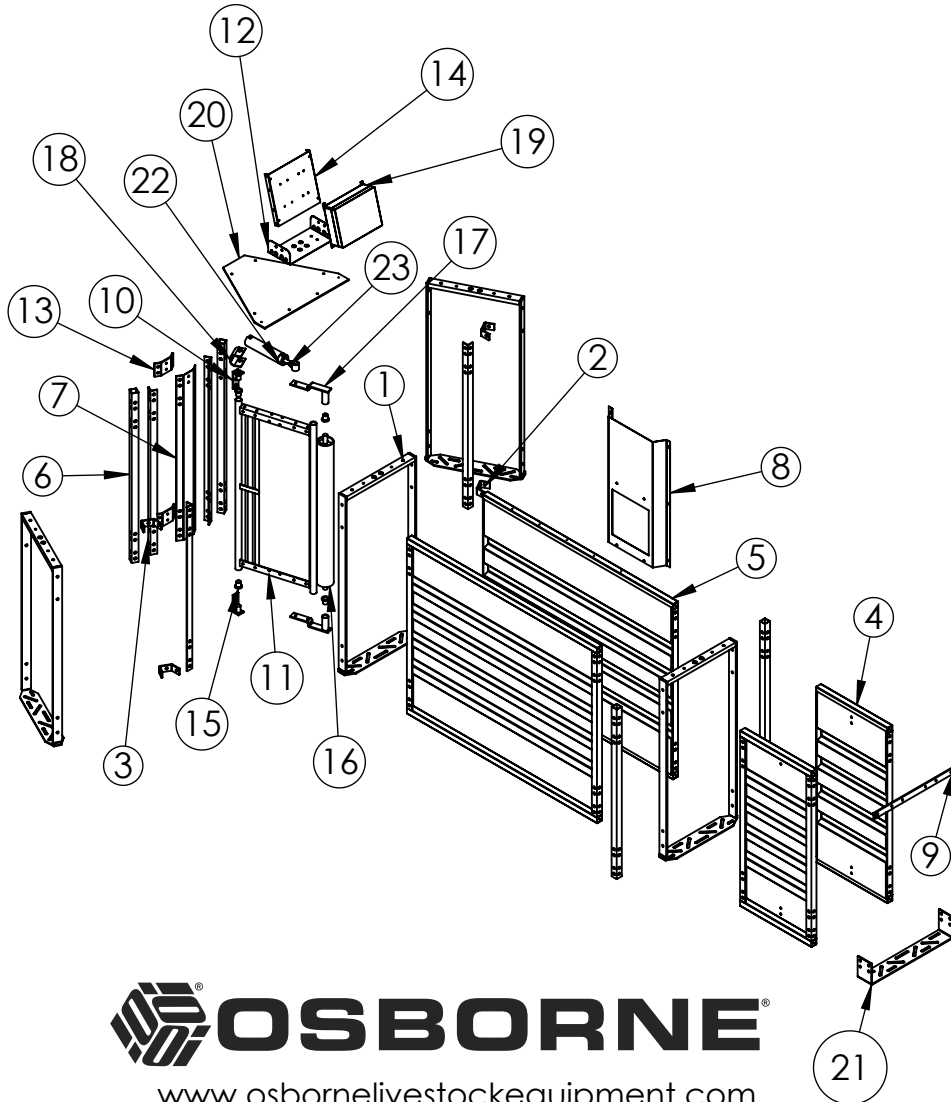


OSBORNE TEAM® ESF SYSTEM
 ELECTRONIC SOW FEEDING
FG-TD2000
D-STATION™ (60° Exit)
ENTRANCE PARTS DIAGRAM



ITEM NO.	PART NUMBER	DESCRIPTION	QTY.
1	KP-W11301	EXIT FRAME	4
2	KP-W11201	WALK THROUGH BACK BRACKET	4
3	KG-G25100	RACE END MOUNT ANGLE	4
4	KG-G21900	RACE PANEL 2 FT	2
5	KG-G22000	RACE PANEL 5 FT	2
6	KG-G25500	PANEL MOUNTING TUBE	4
7	KS-SS0201	SWITCH LOK BACK PLATE	1
8	KG-D20500	SAD ANTENNA MOUNTING SHIELD	1
9	KG-G20600	PANEL TIE STRAP	1
10	KG-G22900	GATE HINGE	2
11	KG-G24500	EXIT GATE	1
12	KG-G25610	TEAM STATION CONTROL BRACKET	1
13	KS-SS0128	TEE GATE HINGE MOUNT PLATE	2
14	KS-SS0132	CONTROL IFC MOUNT PLATE	1
15	RFM_7422	BUSHING NYLON FLNG 1-1/2 X 1-1/4 X 29/32 BORE	4
16	KG-D20100	SAD ROLLER	1
17	KG-D20200	SAD ROLLER GATE MOUNT	2
18	KG-G23110	ENTRANCE GATE CYLINDER TRUNNION MOUNT	1
19	REE-4065	TEAM IFC CONTROLLER	1
20	KG-G27501	Divert Cylinder Cover, Flat	1
21	KG-G26600	TEAM ANCHOR PLATE	1
22	KG_G25500	PANEL MOUNTING TUBE	1
23	KS-SS0129	GATE TEE NUT	1

OSBORNE
 www.osbornelivestockequipment.com
 © 2014 Osborne Industries, Inc.