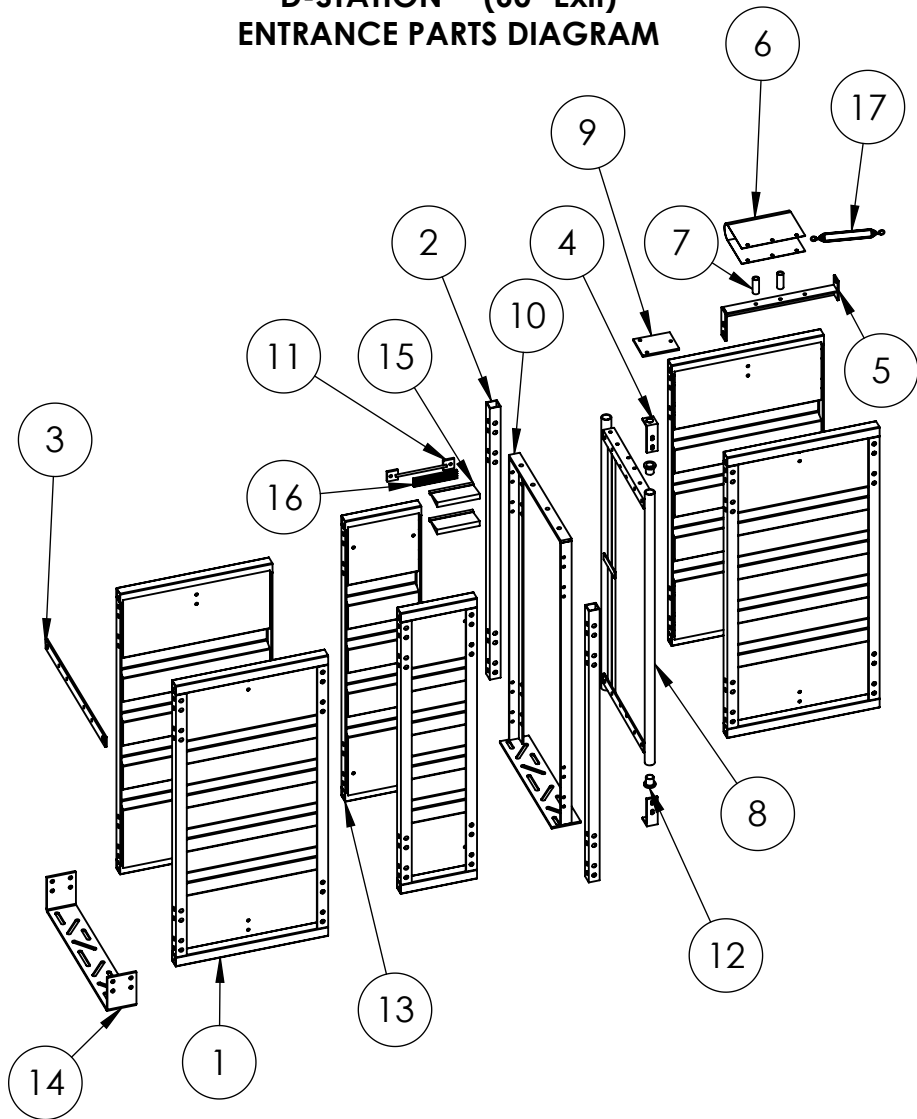


OSBORNE TEAM® ESF SYSTEM
ELECTRONIC SOW FEEDING
FG-TD2000
D-STATION™ (60° Exit)
ENTRANCE PARTS DIAGRAM



ITEM NO.	PART NUMBER	DESCRIPTION	QTY.
1	KG-G21900	RACE PANEL 2 FT	8
2	KG-G25500	PANEL MOUNTING TUBE	4
3	KG-G20600	PANEL TIE STRAP	2
4	KG-G22900	GATE HINGE	4
5	KG-G23600	DOOR SPRING MOUNT	2
6	KG-G23700	DOOR SPRING GUARD	2
7	KG-G23701	DOOR SPRING GUARD SPACER	4
8	KG-G24500	EXIT GATE	2
9	KG-G24600	EXIT GATE SPRING MOUNT	2
10	KG-G24710	TEAM EXIT GATE DOOR FRAME	2
11	KP-W13001	BRUSH BRACKET ASSEMBLY	2
12	RFM_7422	BUSHING NYLON FLNG 1-1/2 X 1-1/4 X 29/32 BORE	4
13	KG-G21800	RACE PANEL 1 FT	4
14	KG-G26600	TEAM ANCHOR PLATE	2
15	RXB-0100	NYLON BRISTLE BRUSH 6"	4
16	RXB-0200	FULLER BRUSH HOLDER 6"	2
17	RFM-4500	SPRING SWIVEL HOOK EXTENSION SS	2

MS-0528



www.osbornelivestockequipment.com

© 2014 Osborne Industries, Inc.