

TEAM G-Station Divert Gate Kit (KG-G27000) Parts List

Part Number	Description	Qty
RLX-0865	Divert Gate Kit Assembly Instructions	1
KG-G24200	Race Panel Bracket, 60°	1
KG-G21800	Race Panel, 1 ft.	1
KG-G25100	Race End Mount Angle	1
KG-G25500	Race Mounting Tube	2
KG-G21900	Race Panel, 2 ft.	6
KG-G20600	Panel Tie Strap	1
KG-G26600	TEAM Anchor Plate	1
	TEAM Exit Gate Assembly (assembled)	1
	Door Spring Mount Assembly (assembled)	1
	Switch-Lok Sort Assembly (assembled)	1
	Air Solenoid Assembly (assembled)	1
KP-EB950	Proximity Switch, Extended Lead	1
KP-W13001	Brush Bracket Assembly	1
RXB-0100	Nylon Brush Door Damper	2
RXB-0200	Brush Holder, 6-in.	1
RFF-4050	10mm "T" Air Fitting	1
RMP-0250	10mm Blue Tubing	15 ft.
RFM-1020	Cable Tie, White	2
KG-G12401	Divert Proximity Switch Mount	1

Tools Required For Assembly

3/8" wrench	1/2" wrench
9/16" wrench	5/8" wrench
3/8" socket	1/2" socket
9/16" socket	5/8" socket
Phillips head screwdriver	3/8" drive ratchet
Pliers	

TEAM Divert Gate Kit Bolt Kit Contents

RFB-4100	7/16 x 1-in. Bolt	22
RFB-4400	7/16 x 2-in. Bolt	2
RFB-4600	7/16 x 3-in. Bolt	10
RFN-4100	7/16-in. Hex Nut	34
RFW-4200	7/16-in. Loc Washer	34
RFW-4100	7/16-in. Flat Washer	1
RFB-2060	5/16 x 1-in. Bolt	2
RFN-2100	5/16-in. Hex Nut	2
RFW-2300	5/16-in. Loc Washer	2
RFM-1071	Conduit straps	5
RFs-0775	Self-drilling screws #10 x 3/4-in.	5

NOTE: During the assembly process, parts and fasteners from both the Divert Gate Kit Parts List & Bolt Kit and the TEAM G-Station Parts List and Bolt Kit will be used.

TEAM G-Station (KG-TG2000) Parts List

KG-G21800	Race Panel, 1 ft.	4
KG-G21900	Race Panel, 2 ft.	2
	TEAM Exit Gate Assembly (assembled)	1

TEAM G-Station Accessory Package & Bolt Kit

KF-W13001	Brush Bracket Assembly	1
RXB-0100	Nylon Brush Door Damper	2
RXB-0200	Brush Holder, 6-in.	1
RFB-4600	7/16 x 3-in. Bolt	4
RFB-4100	7/16 x 1-in. Bolt	12
RFW-4200	7/16-in. Loc Washer	16
RFN-4100	7/16-in. Hex Nut	16
RFB-2060	5/16 x 1-in. Bolt	2
RFW-2300	5/16-in. Loc Washer	2
RFN-2100	5/16-in. Hex Nut	2

INTRODUCTION

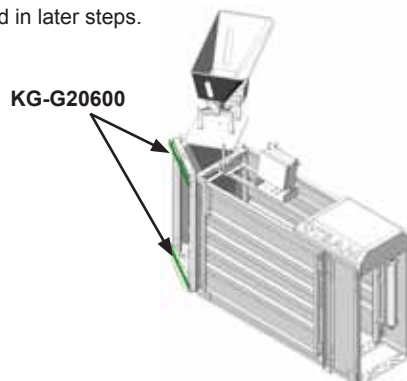
The Osborne TEAM® Divert Gate Kit is an optional add-on to the TEAM G-Station™ (Gestation Station). The kit is necessary when it is required to divert animals from the main herd into a separate pen without individually seeking and sorting animals manually. Using the TEAM Software, a divert action can be set for a specific animal or group of animals. Animals may be diverted for further actions, such as pregnancy checking, vaccination or treatment, or into a holding pen to move to farrowing.

Proper TEAM System layout is crucial for successful operation of the TEAM System. Several variables must be considered in planning a system layout for each individual barn. Contact an Osborne Sales Representative, Osborne Technical Service Specialist, or your nearest Osborne dealer for information and assistance in planning an efficient and effective TEAM System layout.

The following instructions outline the assembly process for the TEAM Divert Gate Kit. Instructions on TEAM G-Station set up are available in your TEAM System User Manual and in this instruction sheet. Identify all parts using the parts table above and the accessory package checklist included with the shipment. If the standard exit race is assembled and attached to the G-Station, it must be REMOVED to complete Part 1 below.

PART 1: Installing the Switch-Lok Assembly

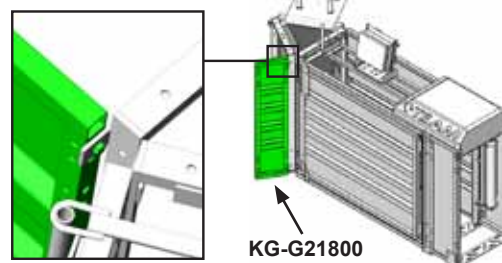
1. If panel tie straps (KG-G20600), indicated below, are attached to the TEAM G-Station, remove them. **Retain all fasteners** as they will be used in later steps.



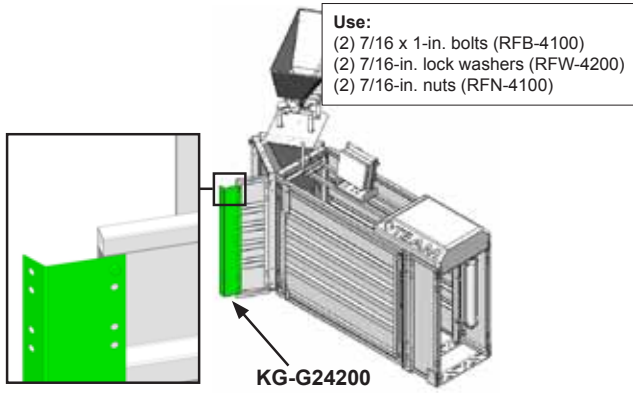
2. Attach one (1) 1-foot panel (KG-G21800) to the TEAM Station Exit on the side opposite the trough.

Use:

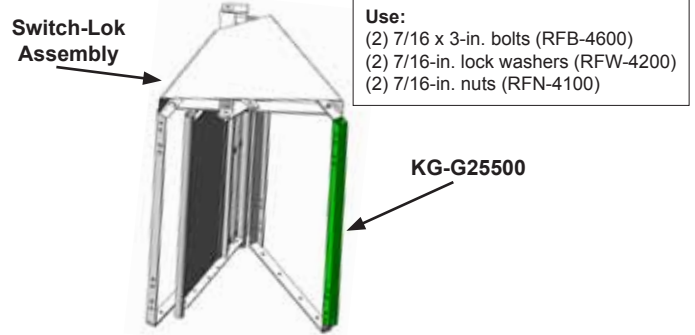
- (2) 7/16 x 1-in. bolts (RFB-4100)
- (2) 7/16-in. lock washers (RFW-4200)
- (2) 7/16-in. nuts (RFN-4100)



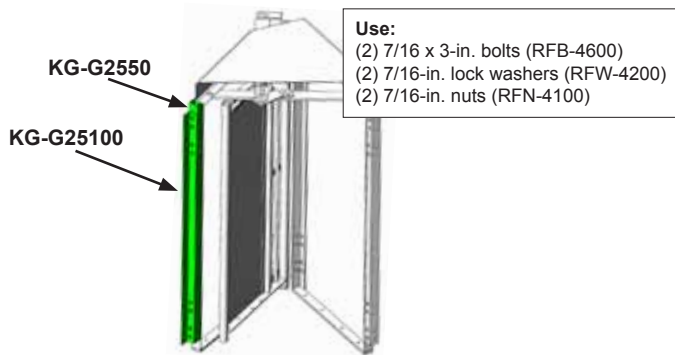
3. Attach Race Panel Bracket 60° (KG-G24200) to 1-foot panel (KG-G21800) installed in the previous step.



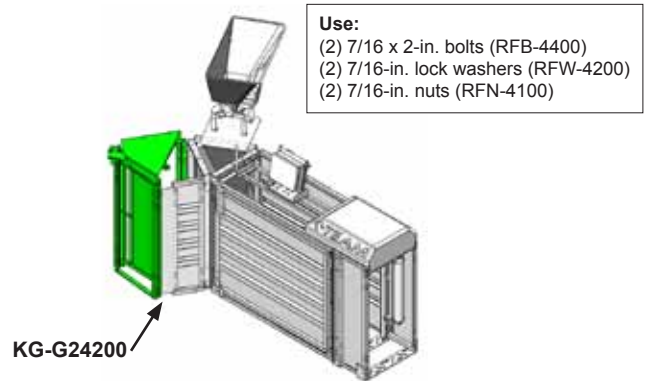
4. Identify the Switch-Lok Sort Assembly shown below. Attach one Race Mounting Tube (KG-G25500) to Switch-Lok Sort Assembly on the right side as shown below. Loosely install fasteners. DO NOT TIGHTEN.



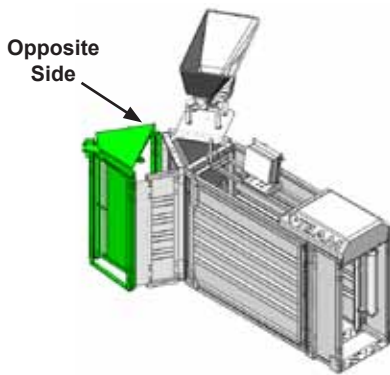
5. Attach one Race Mounting Tube (KG-G2550) and one Race End Mount Angle (KG-G25100) to the Switch Lok Sort Assembly on the left side of the Mounting Tube as shown below.



6. Attach Switch Lok Sort Assembly to TEAM station by bolting it to the 60° Race Panel Bracket (KG-G24200).

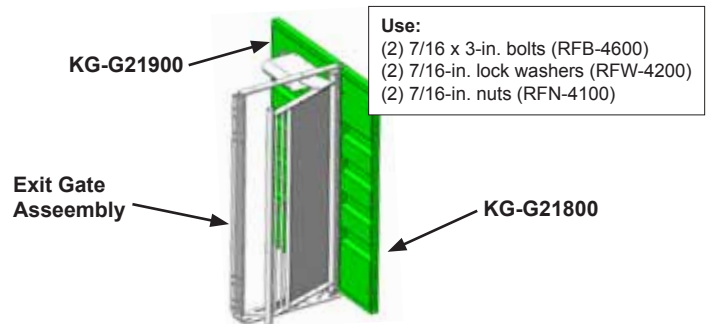


7. Attach the opposite side of the Switch Lok Sort Assembly to the TEAM station. Use fasteners installed in Step 4.

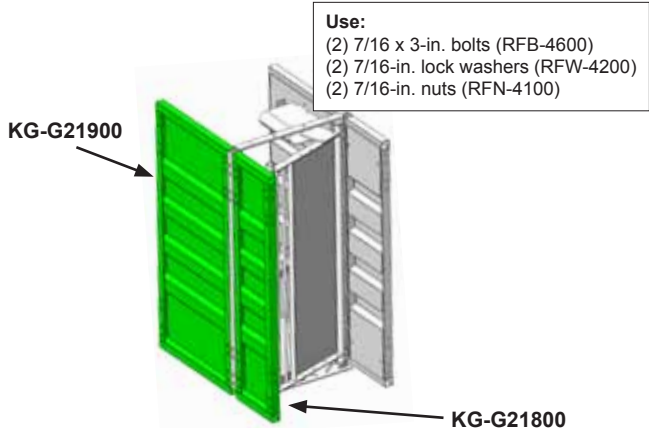


PART 2: Assemble the Divert Exit Race

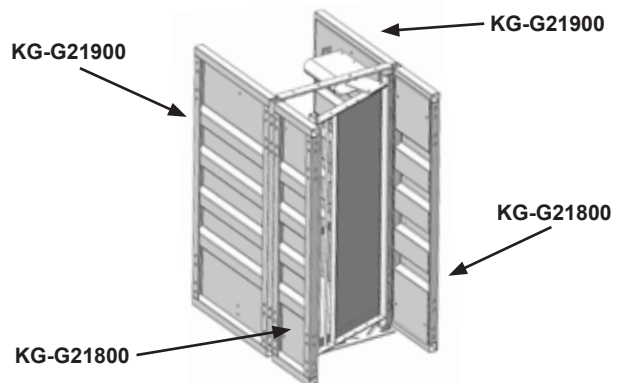
1. Identify the exit gate assembly and install one (1) 2-ft. Race Panel (KG-G21900) as shown below. Place one (1) 1-ft. (KG-G21800) Race Panel on the side that the gate swings.



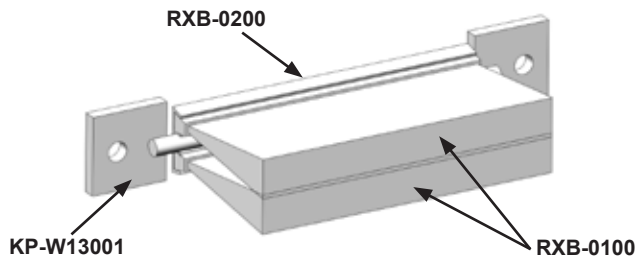
2. Repeat the previous step for the other side of the exit gate frame.



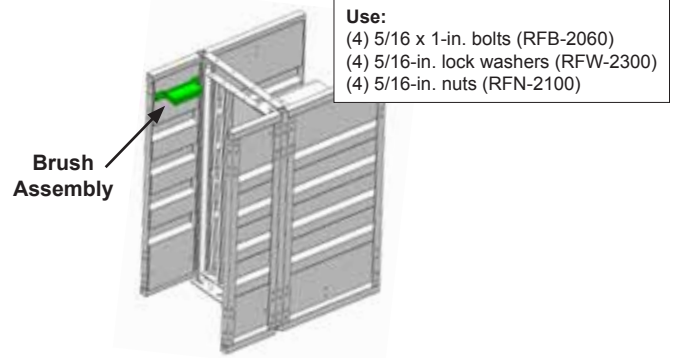
3. Assemble the second (standard) exit race if it is not already assembled. Follow Steps 1 & 2 above, or refer to your TEAM User Manual.



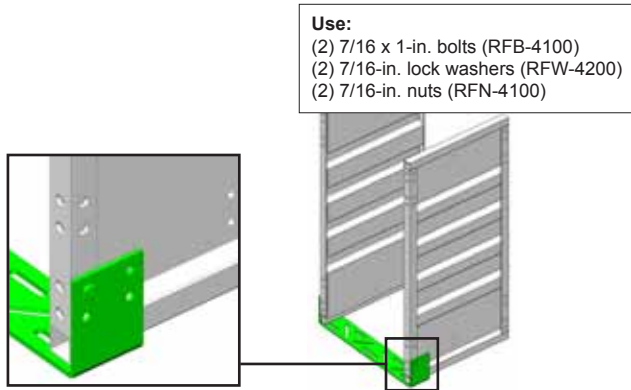
4. Snap Brush Holder (RXB-0200) over round rod of Brush Bracket Assembly (KP-W13001). Slide one (1) Nylon Brush Door Damper (RXB-0100) into each slot of Brush Holder.



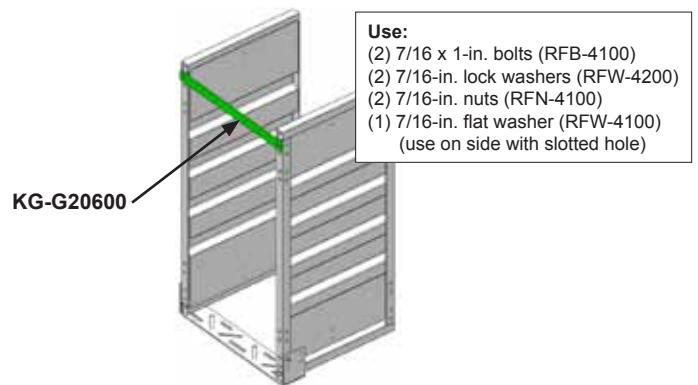
5. Attach Brush Assembly to 1-ft. panel on the side that the gate swings as shown below. Repeat this for the second exit race. Then, set both assemblies aside.



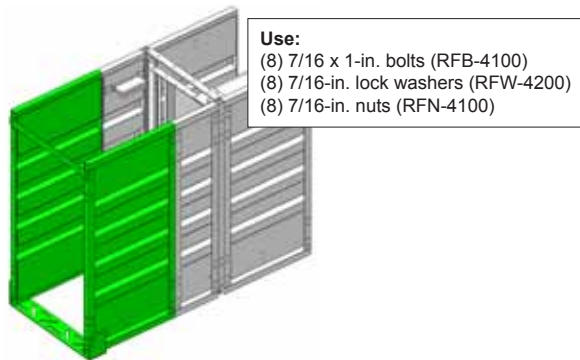
6. Attach TEAM Anchor Plate (KG-G26600) at the bottom of the same end to two (KG-G2900) 2 ft. Race Panels.



7. Attach Panel Tie Strap (KG-G20600) at the top of the two (2) 2-ft. Race Panels to the same end as the Anchor Plate was installed.

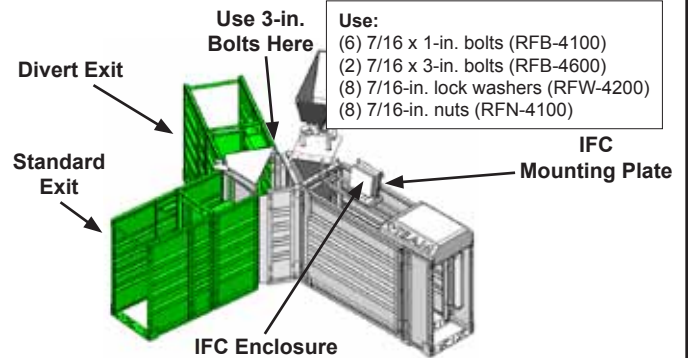


8. Repeat the previous two steps (6 & 7) for the second (standard) exit. Attach one to each end of exit races. Use four (4) fasteners on each end.

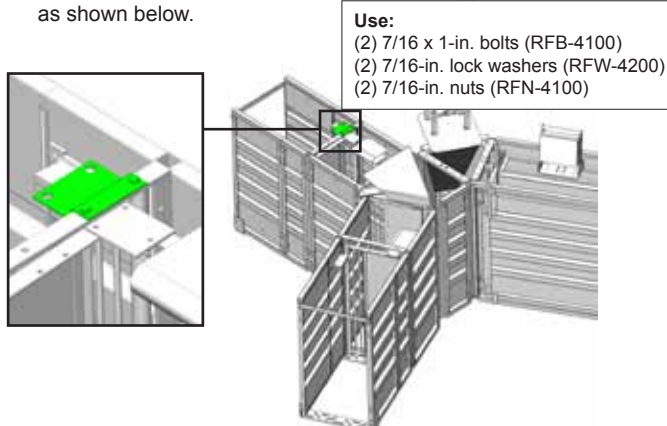


PART 3: Install the Exit Race Assemblies

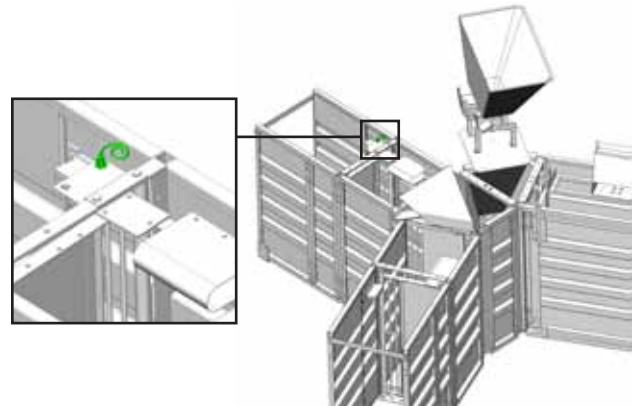
1. Attach one exit assembly to the left side of the Switch-Lok and one assembly to the right. Use four (4) fasteners on each side.



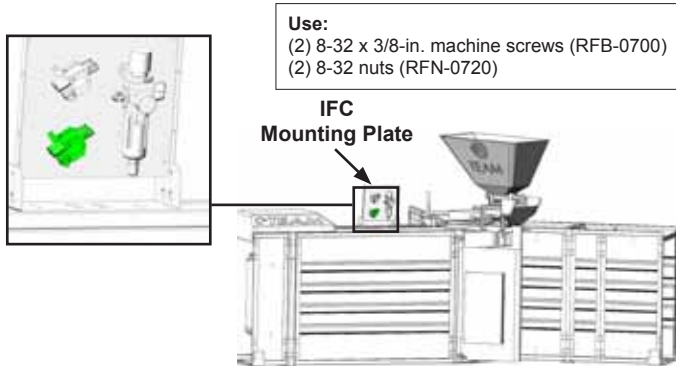
2. Install Divert Proximity Switch Mount (KG-G12401) to top of exit gate as shown below.



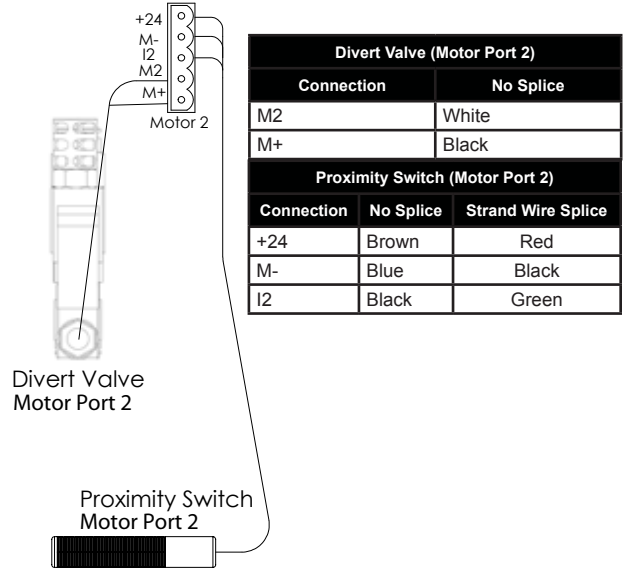
3. Install Proximity Switch (KP-EB950) in outside hole of Proximity Switch Mount as shown. Adjust switch to 1/8-in. above exit door.



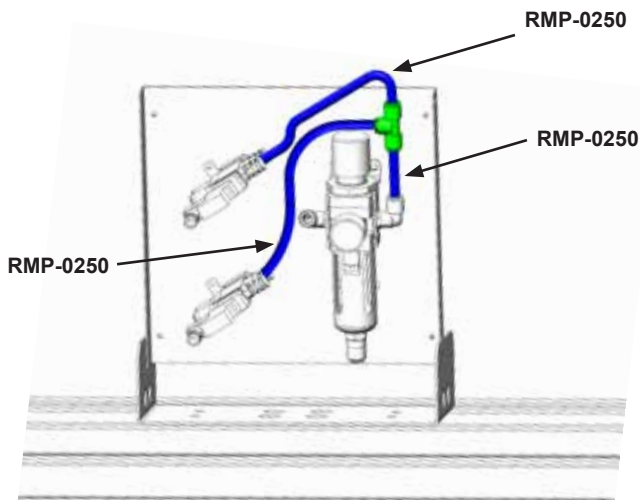
4. Remove the TEAM IFC Enclosure (labeled in Step 1 above) from the IFC Mounting Plate. Attach the Air Valve Assembly to back of the IFC Mounting Plate below existing air valve. Then, reinstall the IFC Enclosure.



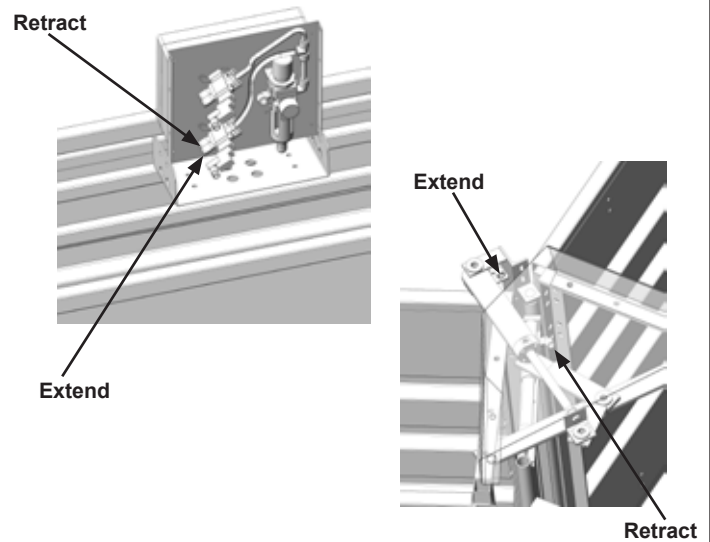
5. Refer to the diagram below to wire the Divert Valve and Proximity Switch for the Divert Gate Kit. For more station wiring diagrams, refer to your TEAM User Manual.



6. Install the 10mm blue tubing (RMP-0250) from the elbow and T fitting to each air solenoid valve as shown below.



7. Typical animal flow on a TEAM G-Station with Divert Gate Kit exits left and requires retract hose to be attached to the retract-end of the Divert Air Cylinder. Use 10mm blue tubing (RMP-0250).



8. Ensure all wires and cables are attached to the station. Use self drilling screws (RFS-0775), conduit straps (RFM-1071), and enclosed cable ties to secure wiring away from animals.
9. Change the configuration settings of the TEAM G-Station at the TEAM Station IFC enclosure to use the TEAM Divert Gate Kit. Instructions on changing system configuration can be found in your TEAM System User Manual.
10. Ensure the feed hopper is installed properly. Refer to your TEAM System User Manual for instructions.

NOTICE

TEAM® is a trademark of Osborne Industries, Inc. This TEAM Divert Gate Kit Instruction Manual is protected by copyright and all rights are reserved. No part of it may be reproduced or transmitted in any form or by any means, electronic or mechanical, including photocopying and recording for any purpose, without the expressed prior consent of Osborne Industries, Inc.

The information in this TEAM Divert Gate Kit Instruction Manual has been carefully checked and is believed to be accurate. However, Osborne Industries, Inc. assumes no responsibility for any inaccuracies that may be contained in this manual. In no event will Osborne Industries, Inc. be liable for direct, indirect, special, incidental, or consequential damages resulting from any defect or omission in this manual, even if advised of the possibility of such damages.

Information in this manual is subject to change without notice and does not represent a commitment on the part of Osborne Industries, Inc. In the interest of continued product development, Osborne Industries, Inc. reserves the right to make improvements in this manual and the products it describes at any time and without notice or obligation.



Osborne Industries, Inc. | PO Box 388 | Osborne, KS 67473 | USA
 Toll Free: 1-800-255-0316 | Phone: 1-785-346-2192
 sales@osborne-ind.com | www.osbornelivestockequipment.com