

SPRAY MARKER

Installation Instructions

KS-SSM100

INTRODUCTION

The Survey Scale Spray Marker application provides easy marking of pigs. Spray Marking is activated when the weight of each animal meets a specified range and the marking option is chosen. The animal is marked each time it enters the Survey Scale and meets the specified weight range. The Spray Marker uses an economical, readily available, liquid based dye solution. The dye solution is stored in a durable one gallon polyethylene reservoir which allows for the marking of hundreds of animals without frequent refilling. The Spray Marker places marks on the shoulders of larger animals and the backs of smaller animals.

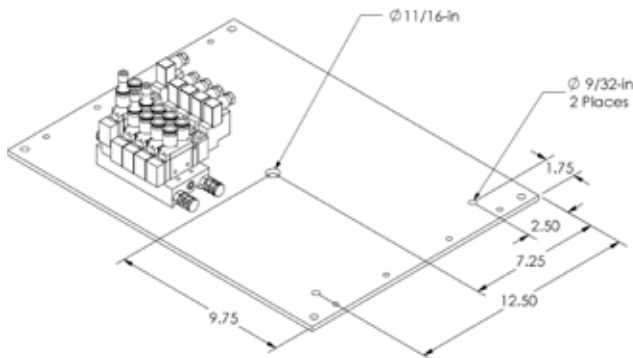
INSTALLATION

The Spray Marker assembly is mounted to the Spray Marker base on the top frame of the Survey Scale. The nozzle points straight down to mark the animal. The intensity and length of time a mark is visible on an animal depends on the strength of the solution, size of the mark, and dye color. The Spray Marker base is pre-installed on each Survey Scale. Holes for mounting the reservoir to the Spray Marker base are **not** provided and must be drilled by the installer. Two (2) 5/16 x 1-in. bolts are supplied to mount the Spray Marker Mount (KP-AW106) to the base.

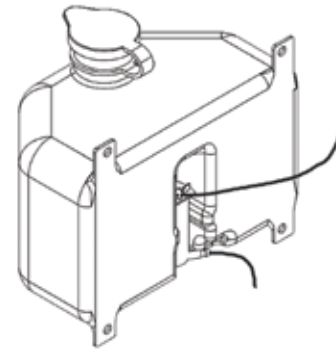
Survey Scale™ Spray Marker (KS-SSM100)

Part Number	Description	Qty
RLX-0913	Spray Marker Instruction Manual	1
KP-AW106	Spray Marker Reservoir Mount	1
RFF-6000	Pump, 24 VDC with Reservoir	1
SS-SSM101	Spray Marker Hardware Kit	
RMP-0300	Buna-N Rubber Tubing 5/32 OD	1 ft.
KP-AW110	Spray Marker Cable	1
RFF-2020	Check Valve 3 PSI	1
RFF-1310	Adjustable Brass Spray Nozzle	1
REE-3800	Grommet, 7/16" ID, 1/4" Groove	1
RFB-1400	1/4 x 1" Bolt	4
RFW-1100	1/4" Flat Washer	4
RFN-1300	1/4" Hex Flange Wiz Nut	4
RLX-0852	Spray Marker Dye Brochure	1
REE-3550	Electrical Strain Relief PG9	1
REE-3551	Electrical Strain Relief Nut PG9	1
RFM-1020	Cable Tie, White	3
RFB-2060	5/16 x 1" Hex Head Cap Screw	2
RFN-2300	5/16" Hex Wiz Nut	2

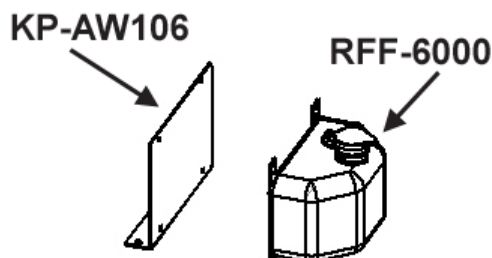
1. Drill one (1) 11/16-in. hole and two (2) 9/32-in. holes in the Spray Marker Base using Figure 1 below as a guide.



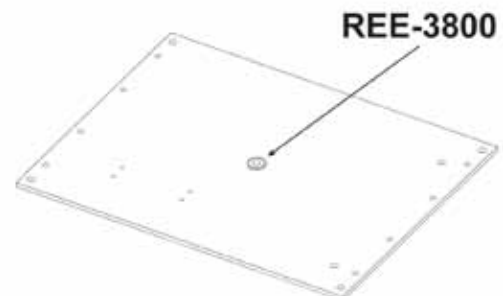
2. Attach one end of the rubber hose and install the electrical cable to the pump.



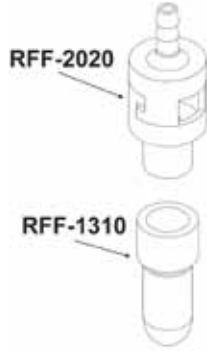
3. Mount the Reservoir (RFF-6000) to the Spray Marker Mount using the four (4) 1/4 x 1-in. bolts, washers, and nuts provided. Then, fasten the Spray Marker Mount to the Spray Marker Base using the two (2) 5/16 x 1-in. bolts and nuts.



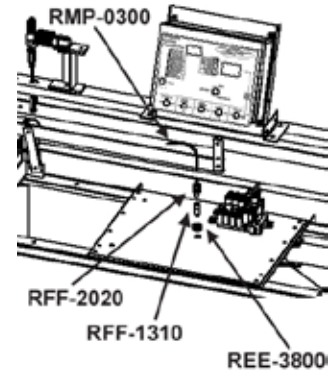
4. Insert the Rubber Grommet (REE-3800) through the 11/16-in. hole in the Spray Marker Base.



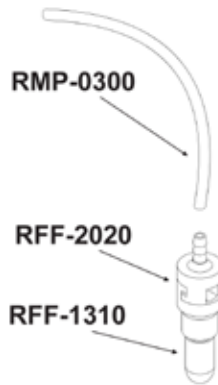
5. Thread the Brass Spray Marking Nozzle and the red valve together. Use a thread sealant such as Teflon tape or thread paste on the joint to prevent leaking.



6. Insert the Nozzle/Valve assembly through the Grommet on the Spray Marker Base with the Nozzle aiming down.



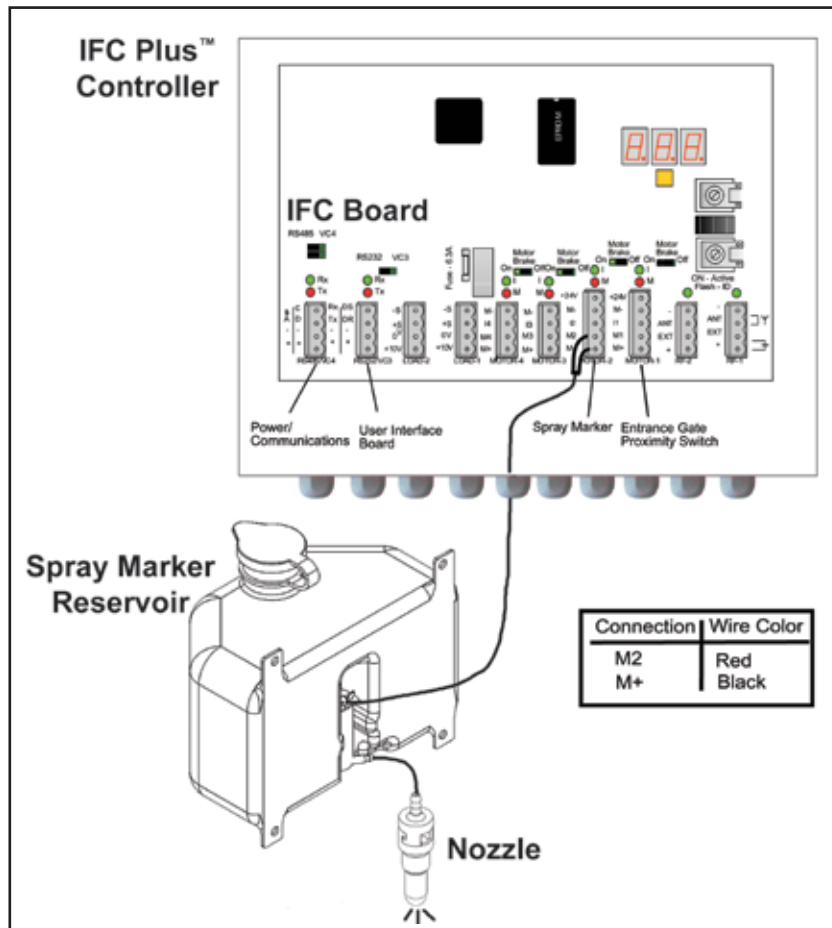
7. Install the rubber hose on the Nozzle/Valve assembly and push into place.



8. Route the wire into the electronics enclosure. If required, add the Electrical Strain Relief to the enclosure in an unused location for proper sealing around the wiring cable. Use the supplied wire ties to help secure the cable away from contact by animals.

Refer to the Wiring Diagram below for the proper wiring.

WIRING DIAGRAM

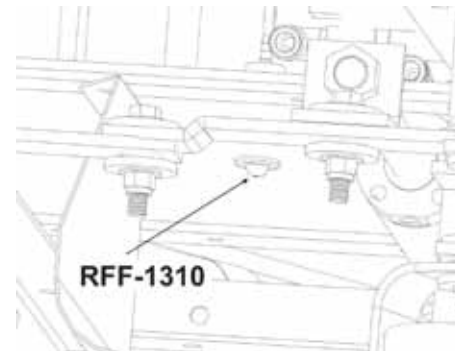


9. For best results, use All-Weather® Stock Shot® Spray Marker Concentrate. Order from Osborne using the part numbers below. However, the Survey Scale Spray Marker can also use most liquid-based animal-marking dyes in a diluted strength. Use only products labeled for animal use.

All-Weather® Stock Shot® Spray Marker Concentrate		
Part Number	Description	Makes
KP-AB901	Red, 1 pint	2 gallons
KP-AB902	Green, 1 pint	2 gallons
KP-AB903	Blue, 1 pint	2 gallons

CAUTION: Most dye solutions are water-based. Precautions must be taken to prevent freezing of solution in cold climates. Failure to prevent freezing may result in permanent damage to the Spray Marker.

10. Adjust the spray pattern by turning the Brass Nozzle clockwise to make a wider pattern and counter-clockwise to create a narrow pattern.



Note: It is recommended to mix the dye solution at 1/4 to 1/8 the recommended strength. Adjust dye strength to meet your marking requirements.

OPERATION:

Set up the Spray Marker Time using the advanced menu button on the Survey Scale. Refer to the Survey Scale User Manual for adjusting the Spray Marker Time.

Note: Each station must be powered down before Spray Marker Time is active. The Spray Marker will only be enabled when a mark group is established on the Survey Scale. Refer to the Survey Scale User Manual.

NOTICE

Survey Scale™ and *Weight Watcher*™ are trademarks of Osborne Industries, Inc. This Survey Scale™ Spray Marker Installation Manual is protected by copyright and all rights are reserved. No part of it may be reproduced or transmitted in any form or by any means, electronic or mechanical, including photocopying and recording for any purpose, without the expressed prior consent of Osborne Industries, Inc.

The information in this Survey Scale™ Spray Marker Installation Manual has been carefully checked and is believed to be accurate. However, Osborne Industries, Inc. assumes no responsibility for any inaccuracies that may be contained in this manual. In no event will Osborne Industries, Inc. be liable for direct, indirect, special, incidental, or consequential damages resulting from any defect or omission in this manual, even if advised of the possibility of such damages.

Information in this manual is subject to change without notice and does not represent a commitment on the part of Osborne Industries, Inc. In the interest of continued product development, Osborne Industries, Inc. reserves the right to make improvements in this manual and the products it describes at any time and without notice or obligation.



Osborne Industries, Inc. | PO Box 388 | Osborne, KS 67473 | USA
Toll Free: 1-800-255-0316 | Phone: 1-785-346-2192
sales@osborne-ind.com | www.osbornelivestockequipment.com