



The **FC3000 Fiberglass Cupola** has all the superior design features of the MC Series, but is entirely constructed with corrosion-resistant fiberglass and plastic. Molded from Osborne's RTM-Glas™ white fiberglass, the FC3000 Cupola is an attractive addition to any building.

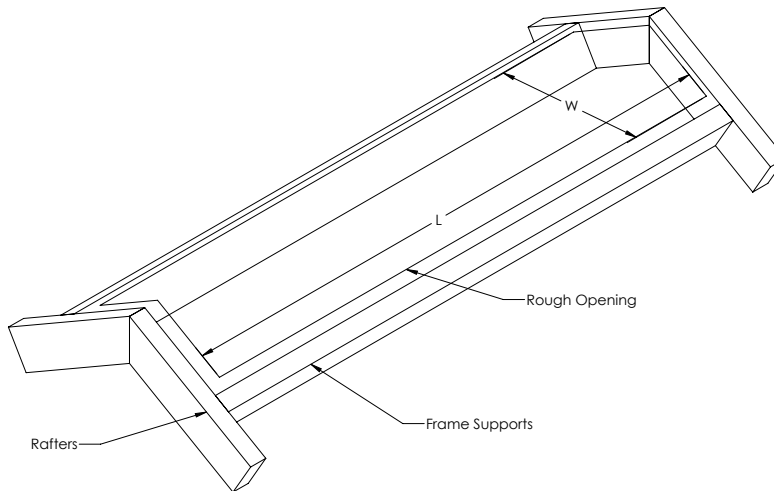
Owing to the all-fiberglass construction, the FC3000 can be used for either an air inlet or as an air outlet. As an air outlet (for example, in buildings without attics that use natural summertime ventilation), heated air can naturally rise and vent out through the FC3000. Corrosive resistant construction of the FC3000 is important because such air may carry a high concentration of moisture and corrosive gases.

An optional damper, **Model FC3100**, may be added to the FC3000 so that exhaust rate or, in some instances, intake rate can be controlled. The FC3100 Damper can be controlled with a rope pull adjustment.



### Fiberglass Roof Cupola (FC) Specifications

Cupola Model	Application	Rough-in Dimensions in (mm)		Max. Air Flow		Shipping Weight	
		W	L	CFM	m <sup>3</sup> /h	lbs	kg
FC3000	Intake or Exhaust	12.0 (305)	46.0 (1168)	3000	5098	40	18.1



**Single Source**  
**SWINE SOLUTIONS™**

**Osborne Customer Service**

Toll Free: 1-800-255-0316 · International: +1-785-346-2192

E-mail: [sales@osborne-ind.com](mailto:sales@osborne-ind.com)

Web: [www.osbornelivestockequipment.com](http://www.osbornelivestockequipment.com)